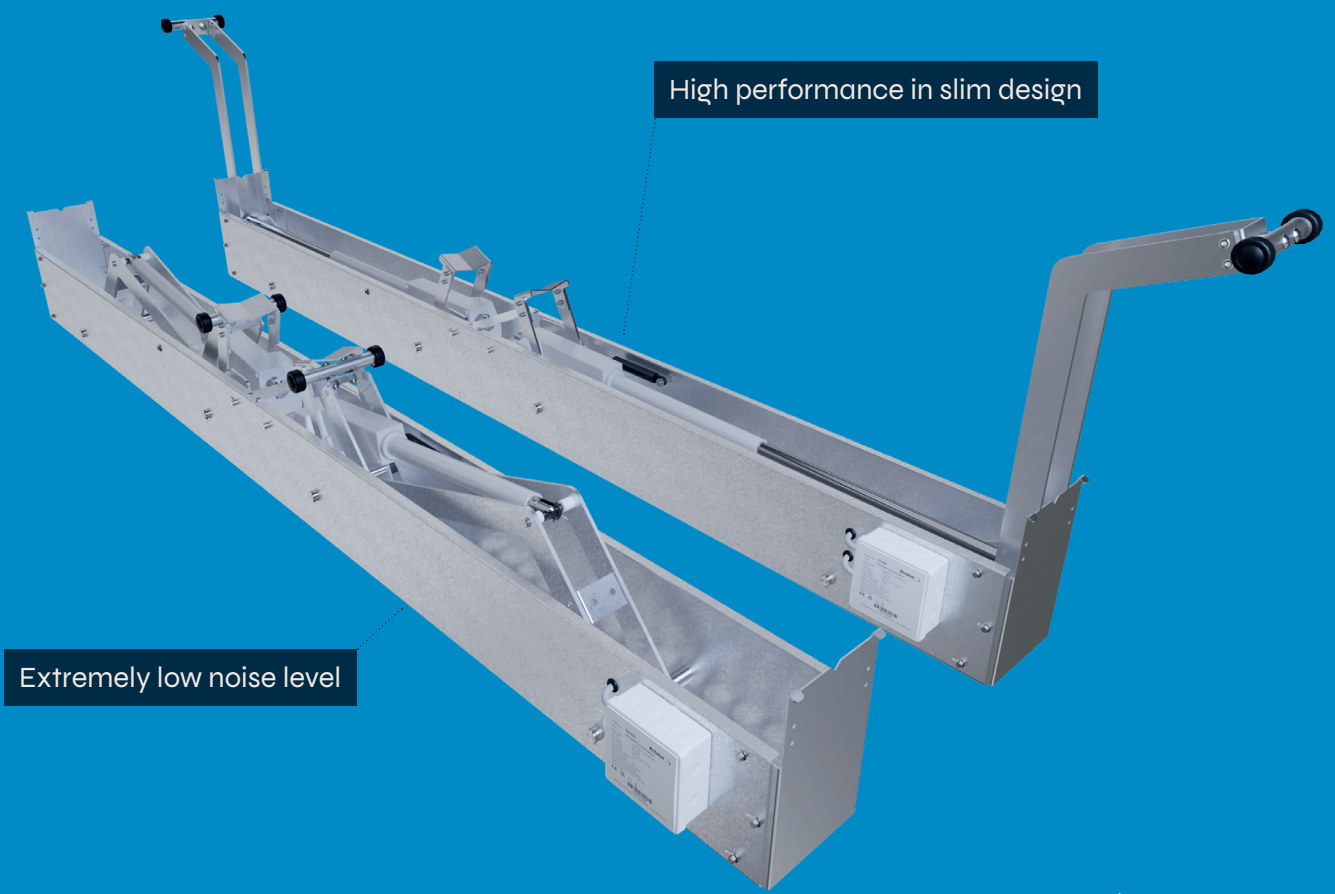


SA Power Double Light

Electrical opening system



High performance in slim design

Extremely low noise level

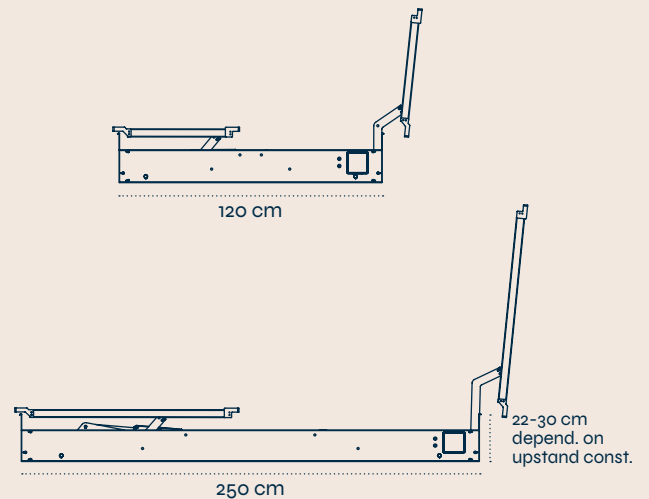
24VDC / 48VDC

High performance, slim design

- For use in double flap rooflights for comfort and smoke ventilation
- Competitive solution designed for 95° opening angles
- Reduction in material consumption and system weight
- High degree of size flexibility ranging from 120 cm to 250 cm
- EN 12101-2 ready

Specifications

- Low current consumption with intelligent adjustment by current limiter type LIP (48V = max. 2x3A / 24V = max. 2x4A)
- Extremely low noise level
- Opening time: max. 60 seconds
- Locking force: WL 3000 ready
- Designed for min. 10,000 comfort openings and min. 1000 fire openings
- Degree of protection: IP54
Corrosionclass: C2 (pregalvanized)
Operation mode: S3 25% duty cycle
- Unique and elegant design (takes no space in the room under the upstand)
- Incl. overload protection
- Galvanized chassis
- No maintenance required, only min. one yearly inspection acc. to local legislation.



Model	SA Power Double Light
Power supply*	24VDC / 2x2A to 2x4A 48VDC / 2x1A to 2x3A
Traverse length (built-in dimensions)	120-250 cm
Opening angle (fire)**	Up to 95°
Opening force (cover weight incl. snow)	120-140 cm: up to 200 kg 150-160 cm: up to 225 kg 170-180 cm: up to 250 kg 190-200 cm: up to 300 kg 210-250 cm: up to 350 kg
Temperature	-25°C - +55°C (+75°C)***

(*) Power consumption can be adjusted to meet snowload requirement

(**) Depending on geometry and construction

(***) Requires special lubrication
Note: 2 pcs. of opening systems can be mounted in the same window/skylight - then figures in above table can be approx. doubled

