

Instructions

HCV Door drive

Type: HCV (24/48VDC)



Safety Notes



- **Operating voltage 24/48VDC ±15%, max Ripple: 2-volt PP.**
- **Don't connect directly to grid!**
- Connection must be carried out by authorized electricians.
- It's necessary to ensure that people keep away from the operation area of the drives. Danger of violent pressure in accessible area!
- Use only in dry rooms.

Application area

- For opening of doors
- Suitable for fire and heat ventilation

Features

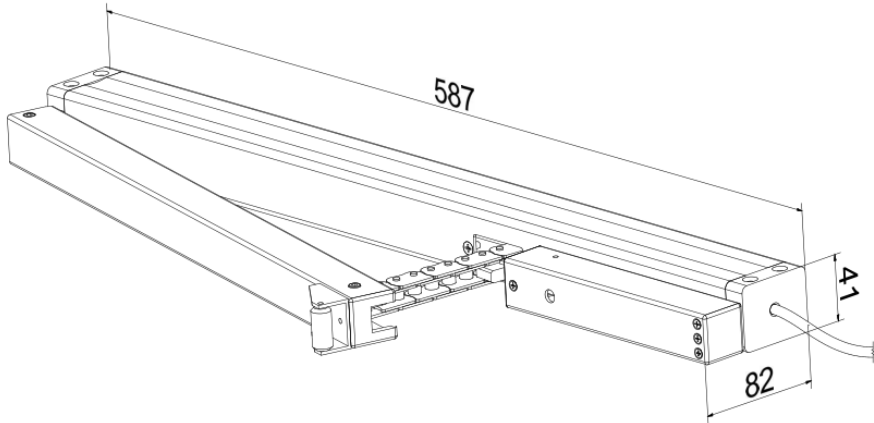
- Microprocessor controlled BUS-synchronization
- Electronic overload protection
- Reduced speed and force during the last 50 mm of closing ("Soft-close")
- Anodized aluminium housing.
- Drive is supplied with 2.5 m silicone cable
- Compatible to all Actulux SV and SVM Control Panels
- Tested according to EN 12101-2, EN 50130-4.

Technical data

Type	Voltage/ Current	Push- force	Pull- force	Stroke length	Speed Comfort	Speed Fire
HCV 500/600	24VDC / 1,4A 48VDC / 0,7A	500N	500N	600 mm	7 mm/s	10 mm/s

- Push force: 500 N
- Current: 1.4 A/0.7 A
- Voltage: 24V/48VDC ± 15 %
- Locking force: 2000N
- Lifecycle: >11000 double strokes
- Duty cycle: 30% at 10 min. running time
- Opening angle 90°
- Speed Open/Close: 10 mm/s
- Protective class: IP32
- Temperature range: -25°C ~ +75°C
- Soft close speed: ca. 5 mm/s
- Soft close distance: 50 mm

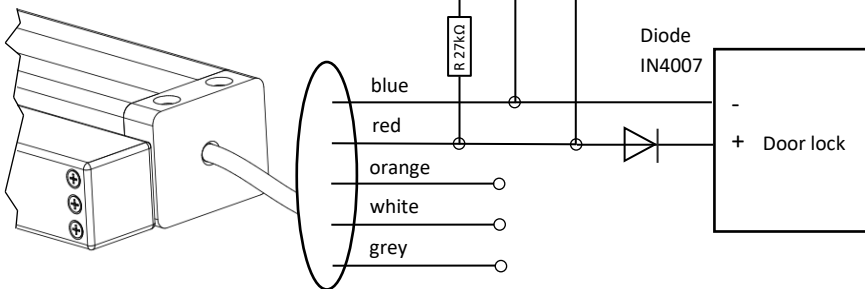
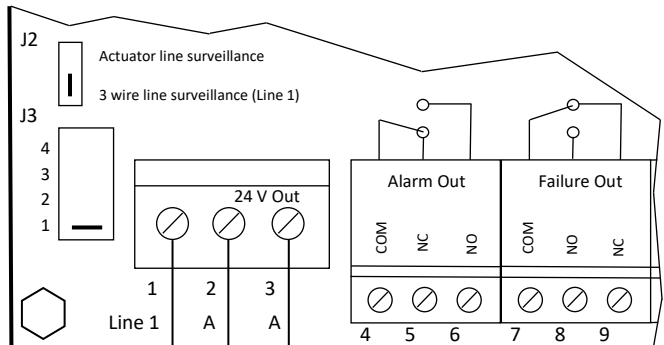
Dimensions of Door drive



Connection of Door drive

SVM control panel

For line surveillance a third wire is necessary. Connect a 27k Ω resistor between terminal 1 and the red wire. Further set jumpers J2 and J3 like shown in drawing. If no line surveillance is necessary, remove jumper J2 and J3.



Caution: The white and grey core are only for changing parameters.

Parameter change can only be made by an Actulux or authorized service and sales partner by Actulux.

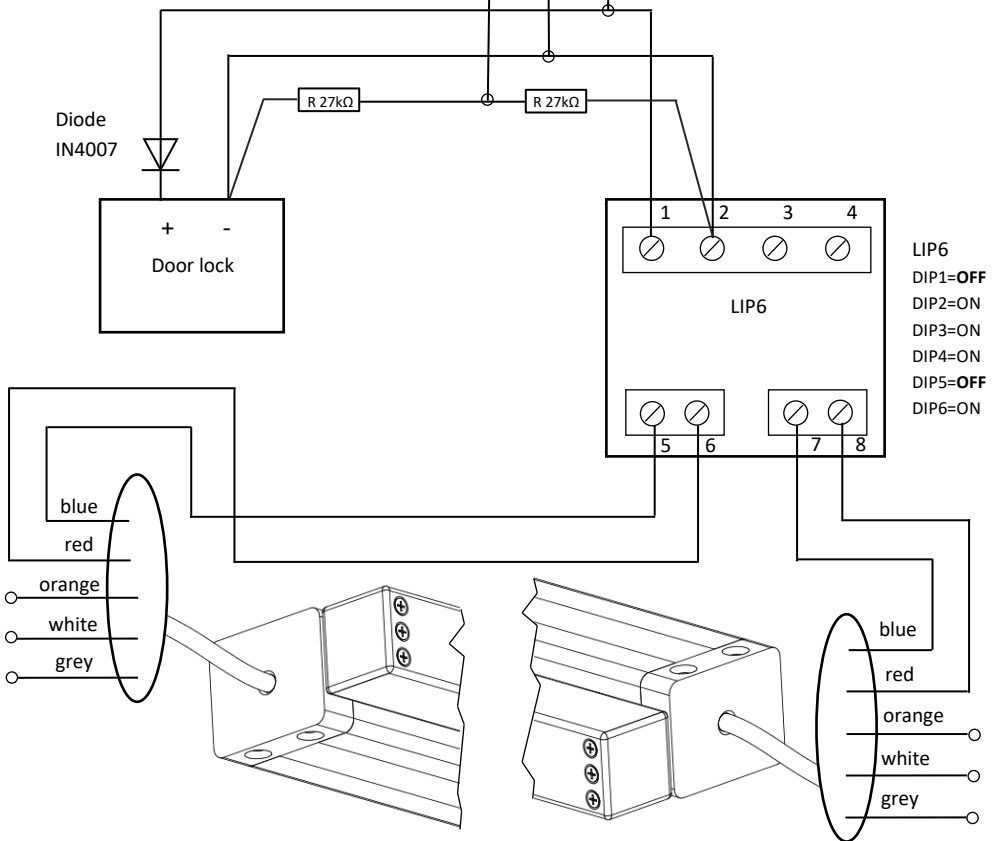
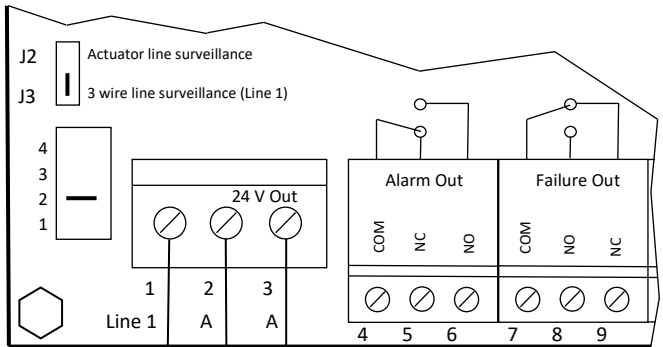
Do not connect the white and grey wire to 24V!

Connection of 2 Door drives with LIP6

SVM control panel

In case of an overlapping double door a time delay between the two drives is necessary. This will be realised with an additional connecting of a LIP6.

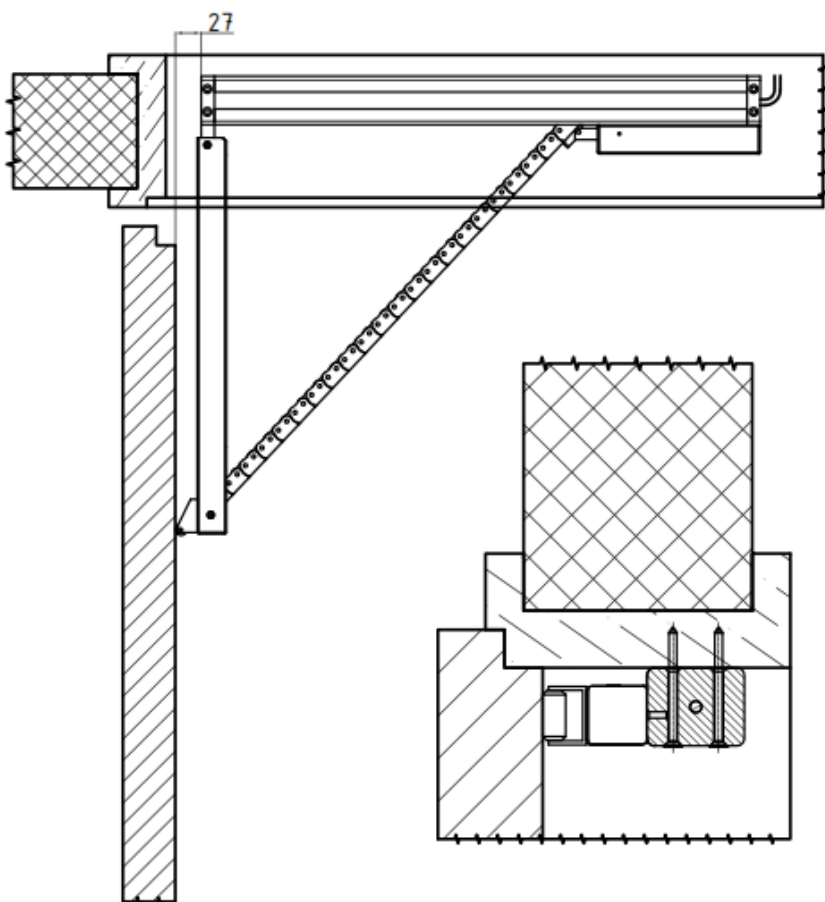
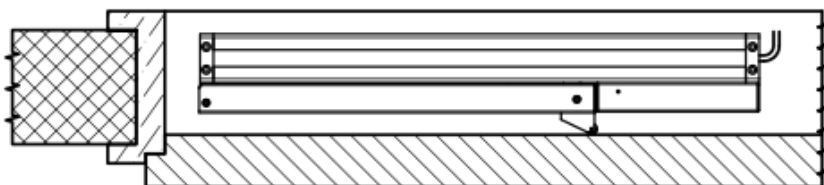
For line surveillance a third wire is necessary. Connect two 27kΩ resistors and set jumpers J2 and J3 like shown in drawing. If no line surveillance is necessary, remove jumper J2 and J3.



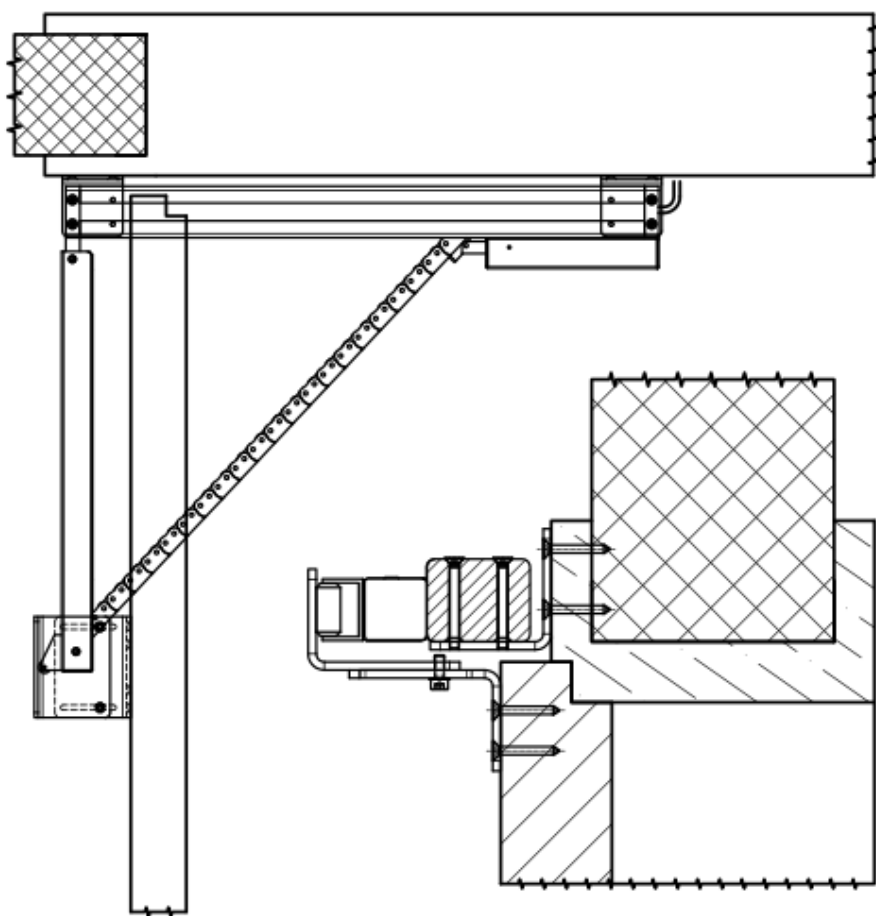
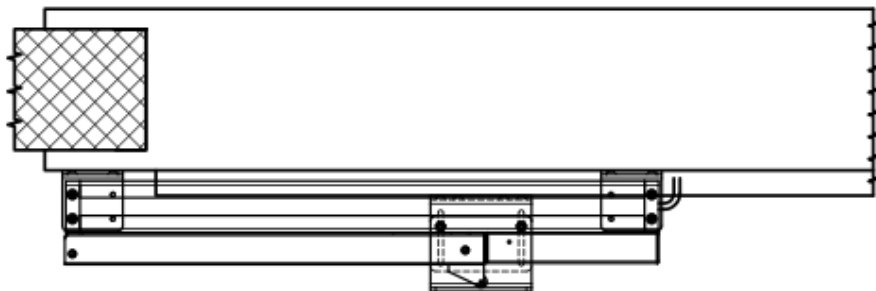
Mounting instruction

Please be aware, that in all bracket sets are no screws included. Choose proper screws according to frame material!

Door outwards opening:



Door inwards opening (Please order bracket set 390061 separately):



DECLARATION OF COMPLIANCE

Actulux

No. 003CPR2013-05-14



(DK) OVERENSSTEMMELSESERKLÆRING
(UK) DECLARATION OF COMPLIANCE
(D) ÜBEREINSTIMMUNGSERKLÄRUNG

For produktet: **Kædemotor**
For the product: **Chain drive**
Für das Produkt: **Kettenantrieb**

Type/Type/Typ: **HCV door drive**

Nr./No./Nr.: **318061**

Formål: **Elektrisk motor til åbning og lukning af vinduer**
Purpose: **Electric drive for opening and closing of windows**
Verwendungszweck: **Elektrischer Antrieb zum Öffnen und Schließen von Fenstern**


Producenten:
Manufacture: **Actulux A/S, Haandvaerkervej 2, 9560 Hadsund Denmark**
Hersteller:

Attestering af ydeevne er udført af:
Attestation of performance is done by:
Bescheinigung der Leistung durch:

VTT Expert Service Ltd. (Body No. 0809):
TEST REPORT NO. VTT-S-2422-14
and
TÜV SÜD Product Service GmbH (Body No 0123):
EC CERTIFICATE OF CONFORMITY NO. E8N 13 04 84583 001

Bekræftet ydeevne/Confirmed performance/Zugesicherte Leistung:

Feature/Feature/Merkmal	Ydeevne/Performance/Leistung	Specifikation/Specification/Spezifikation
Pålidelighed/Reliability/Zuverlässigkeit	Re 1000	EN 12101-2, 2003:9
Brandmodstand/Fire resistance/Wärmebeständigkeit	B 600	EN 12101-2, 2003:9
EMC/EMC/EMV	Class III	EN 61000-6-1:2007 og/and/und EN 61000-6-3/A1:2011


Hadsund d. 14 May 2013, Jens Buus, Managing director

Warranty

We refer to www.actulux.com

Disposal



Electrical equipment, accessories and packaging should be recycled for environment protection!

Don't dispose electrical equipment into household waste!

Only for EU-Countries: According to the European guideline 2002/96/EG about waste electrical and electronic equipment and its implementation into national law, useless electrical and electronic equipment must be separately collected and recycled for environment protection.

Contact

Actulux A/S

Porsborgparken 35

DK-9530 Stoevring

Denmark

Telefon: +45 98 57 40 90

www.actulux.com

©2017 Actulux A/S

Revision: HCV door drive EN_Rev_B11_211823 22.05.2023

Rights to technical modifications reserved