



## Electrical Door Drive - Chain Drive

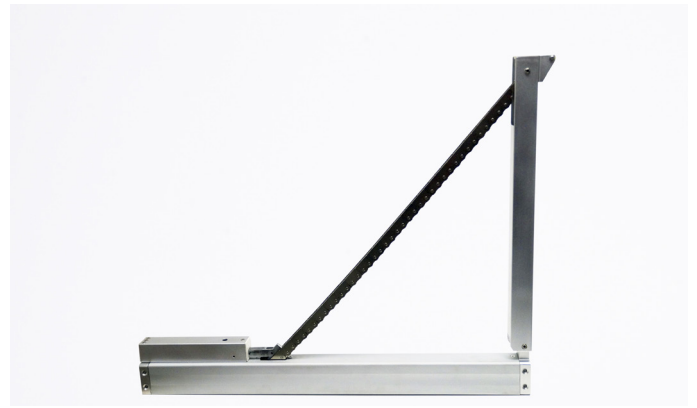
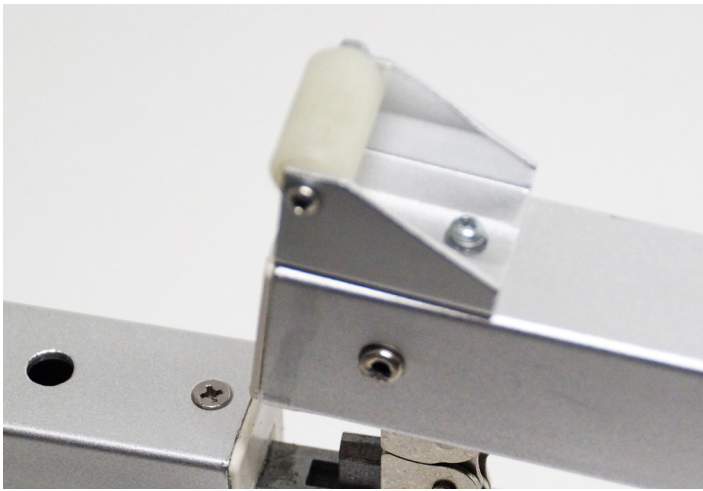
### HCV Door Drive 24/48VDC

# 318061



#### FEATURES:

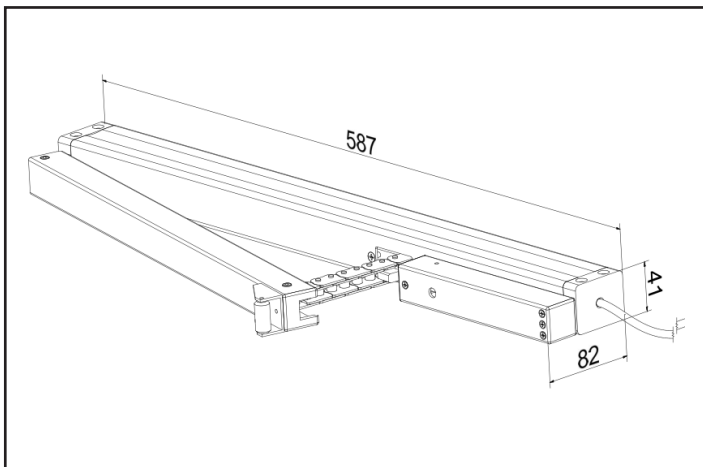
- For all doors
- Compact and elegant design
- Built-in electronic overload protection
- Power supply 24/48VDC
- 2 wire line monitoring
- Up to 500N force at chain entrance point
- 600 mm chain length
- Soft Close function (reduced closing speed)
- 2.5 m Silicone cable
- Housing made of anodized aluminium
- Tested according to EN12101-2



## Electrical Door Drive - HCV 24/48VDC

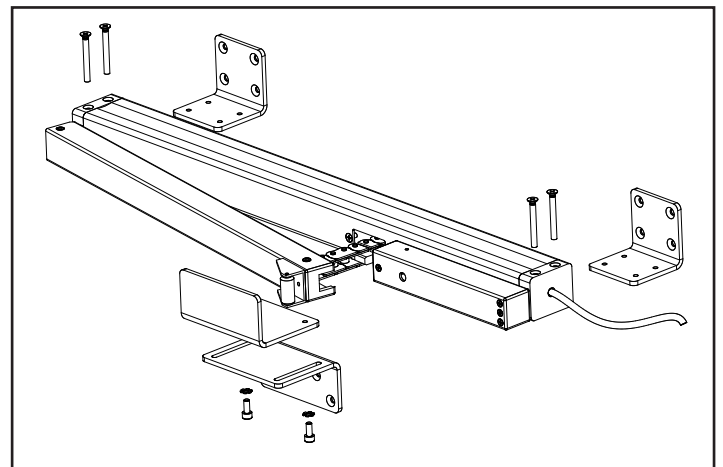
Model	Power supply	Pushing/pulling force (N)	Opening angle	Locking pressure	Protection	Temperature	Speed (mm/sec.)		Size (mm) (LxWxH)
Door Drive							Natural	Smoke & Heat (High Speed)	
HCV 500/600mm	24VDC / 1.4A 48VDC / 0.7A	500 / 500	90°	2000 N	IP 32	-25° C - +75° C	7	10	587 x 82 x 41

### Dimensions

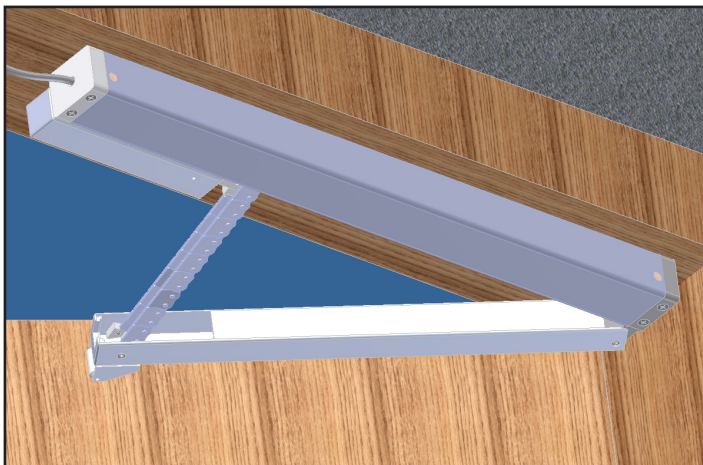


### Bracket set for Inwards opening

item no.390061



### Outwards opening



### Inwards opening

