

## HCV CHAIN DRIVE

DATA SHEET  
#211481

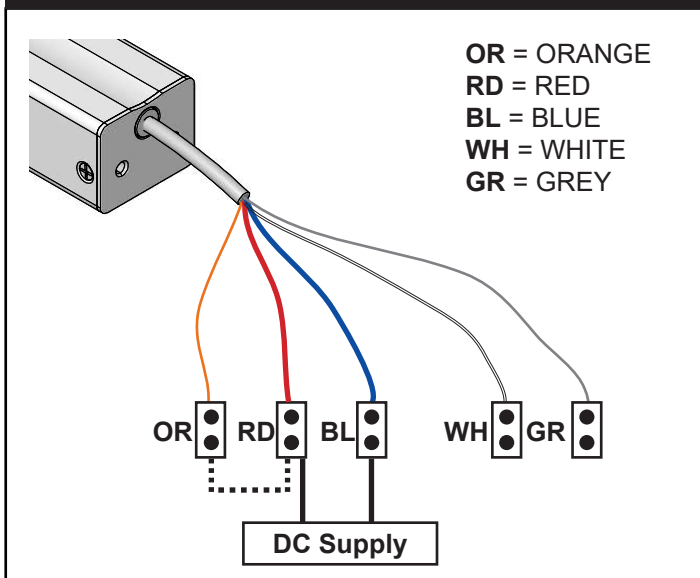
Electrical window opener for Roof and Facade.  
Model: **HCV**

### ELECTRICAL CONNECTION

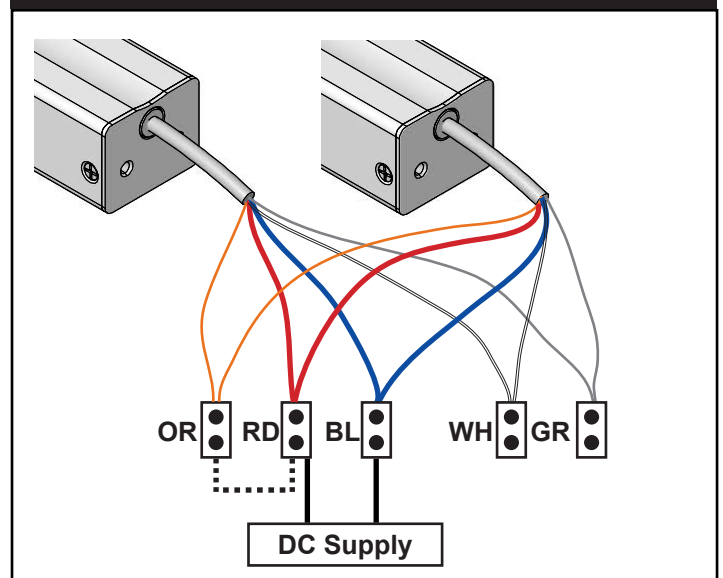


- Operating voltage 24/48VDC  $\pm 15\%$ , max Rippel: 2 volt PP.
- Don't connect directly to grid!
- Connection must be carried out by authorized electricians!
- Ensure that people keep away from the operation area of the drives. Danger of violent pressure, in accessible area!
- Use only in dry environments!
- Rain sensor is recommandable when comfort opening is available.
- The installer or the project responsible is obliged to make risk analysis.

#### Connection of 1 (one) drive 24/48V



#### Synchro mode for 2-3 or 4 drives 24/48V



### SUPPLY

RED+ and BLUE

Direction	↑	↓
RED	+	-
BLUE	-	+

ORANGE

When the drive is used for Fire ventilation (opening 60 sec.), then Orange wire must be connected to + (RED) via alarm relay in the Control Panel.



WHITE and GREY

White and Grey wires are used for communication and must be connected in use for Synchro of 2-3 or 4 drives.

Synchro-mode requires programming by Actulux or by use of PMD-Tool.



#### Disposal

Electrical equipment, accessories and packaging should be recycled for environment protection!

Don't dispose electrical equipment into household waste!

Only for EU-Countries: According to the European guideline 2002/96/EG about waste electrical and electronic equipment and its implementation into national law, useless electrical and electronic equipment must be separately collected and recycled for environment protection.

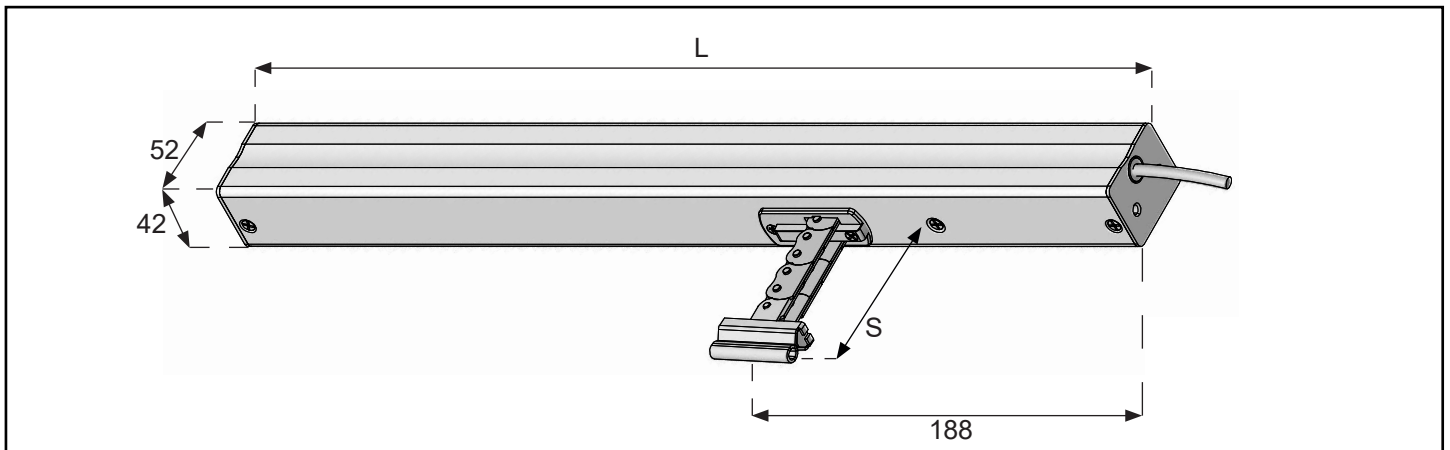
## HCV CHAIN DRIVE

DATA SHEET  
#211481

Electrical window opener for Roof and Facade.  
Model: **HCV**

### TECHNICAL DATA

Power supply	24/48 VDC ± 15 %	2 speed levels	Comfort (silent) / FIRE < 60 sec.
Consumption	1.4A/1.05A/0.7A	Soft Close	Reduced closing force 50mm/200N
Locking force	2500N	Standard colour	White (RAL 9010)
Lifecycle	>11,000 double strokes	Cable length	2.5 m Silicone cable
Duty cycle	30% v. 10 min. running time	Linemonitoring	27kΩ Built-in
Protective class	IP32	Designed in accordance with EN 12101-2 and EN 50130-4.	
Temperature range	-25°C ~ +75°C		



Item no.	Model	Power supply	Push force	Pull force	Stroke (S)	Speed (comfort)	Speed (fire)	Length (L)
31010100	HCV 500/350	24VDC/1.40A 48VDC/0.70A	500N	500N	350mm	7mm/s	7mm/s	436mm
31010200	HCV 500/600		500N		600mm	7mm/s	10mm/s	561mm
31010300	HCV 500/800		*		800mm	10mm/s	14mm/s	661mm
31010400	HCV 500/1000		*		1000mm	10mm/s	17mm/s	766mm

\*Use only for bottom and side hung window (If other uses are considered, contact your supplier)



PMD Tool



Accessories



Control Panels



DOC