

## HCV DOOR DRIVE

DATA SHEET  
#211471

Electrical door opener  
Model: **HCV**

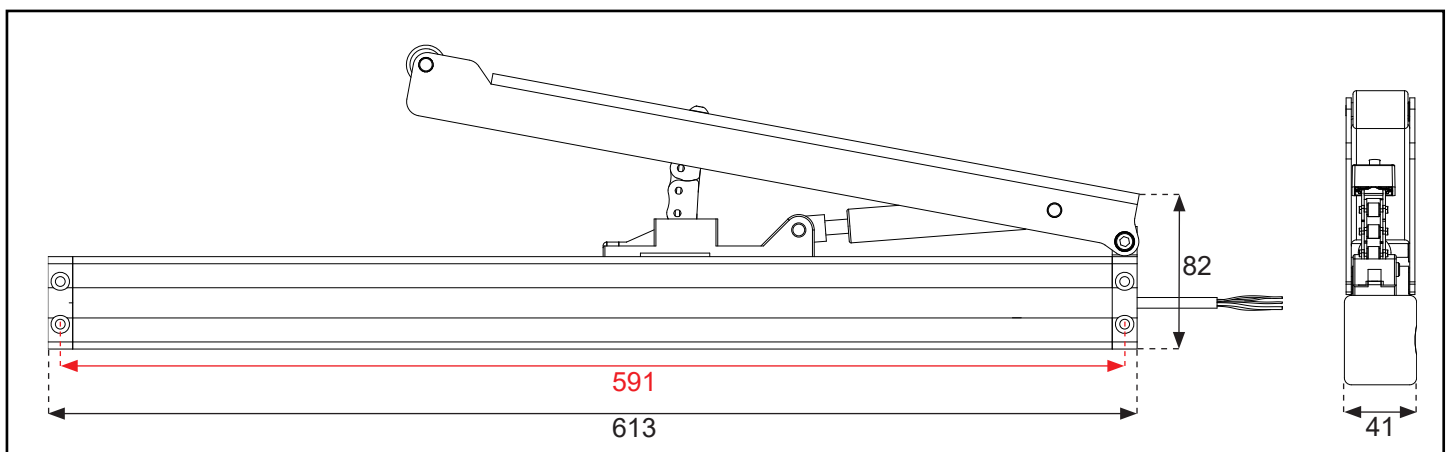
### ELECTRICAL CONNECTION



- **Operating voltage 24/48VDC ±15%, max Ripple: 2 volt PP.**
- Don't connect directly to grid!
- Connection must be carried out by authorized electricians!
- Ensure that people keep away from the operation area of the drives. Danger of violent pressure, in accessible area!
- Use only in dry environments!
- Rain sensor is recommendable when comfort opening is available.
- The installer or the project responsible is obliged to make risk analysis.

### TECHNICAL DATA

Power supply	24/48 VDC ± 15 %	Opening angle	100°
Consumption	1.4A/0.7A	2 speed levels	Comfort (silent) / FIRE < 60 sec.
Locking force	2000N	Soft Close	Reduced closing force 50mm/200N
Lifecycle	>11000 double strokes	Standard colour	RAL 9006
Duty cycle	30% v. 10 min. running time	Cable length	2.5 m Silicone cable
Protective class	IP32	Linemonitoring	27kΩ Built-in
Temperature range	-25°C ~ +75°C	Designed to comply with	EN 12101-2



Item no.	Model	Power supply	Push force	Pull force	Stroke (S)	Speed (comfort)	Speed (fire)	Length (L)
31040100	HCV w/roller	24VDC/1.40A 48VDC/0.70A	500N	500N	600 mm	7 mm/s	10 mm/s	613 mm
31040105	HCV w/slider							



#### Disposal

Electrical equipment, accessories and packaging should be recycled for environment protection!

Don't dispose electrical equipment into household waste!

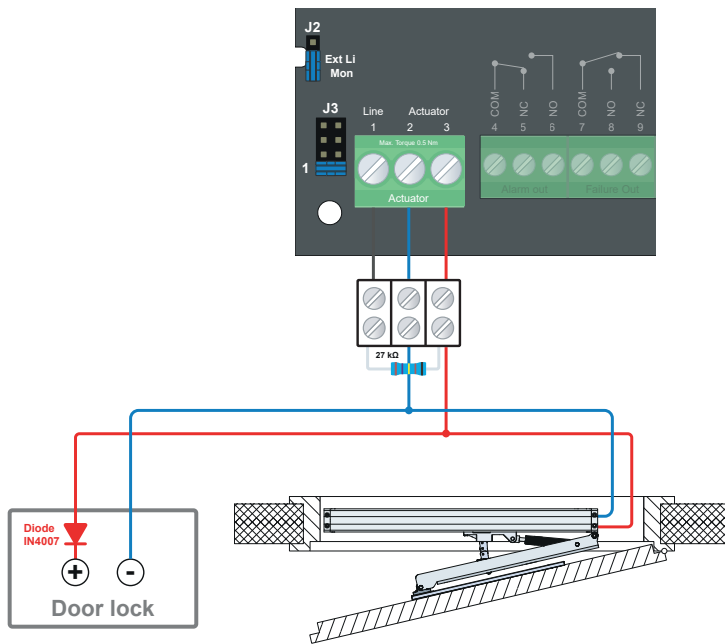
Only for EU-Countries: According to the European guideline 2002/96/EG about waste electrical and electronic equipment and its implementation into national law, useless electrical and electronic equipment must be separately collected and recycled for environment protection.

## HCV DOOR DRIVE

DATA SHEET  
#211471

Electrical door opener  
Model: HCV

### Connection of 1 (one) drive 24/48V



### SUPPLY

RED+ and BLUE

Direction	↑	↓
RED	+	-
BLUE	-	+

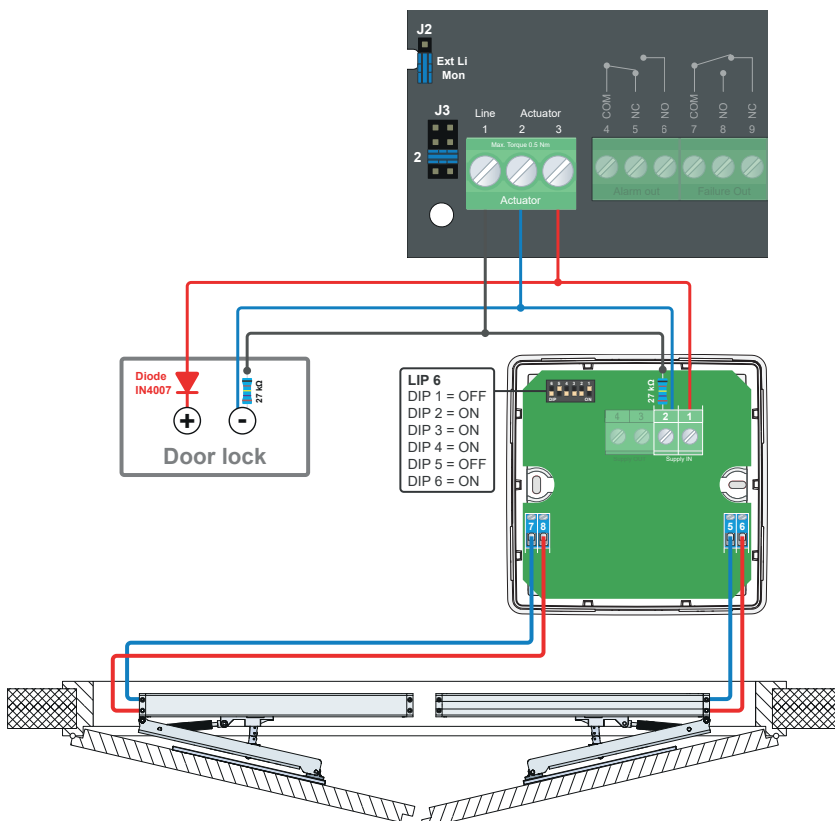
ORANGE

When the drive is used for fire ventilation (opening 60 sec.), then orange wire must be connected to + (RED) via alarm relay in the control panel.

WHITE and GREY 

Used for communication and must be connected for synchronised operation of 2–4 motors. Synchronised operation requires programming via Actulux or via the PMD Tool.

### Double door setup with delay 24/48V

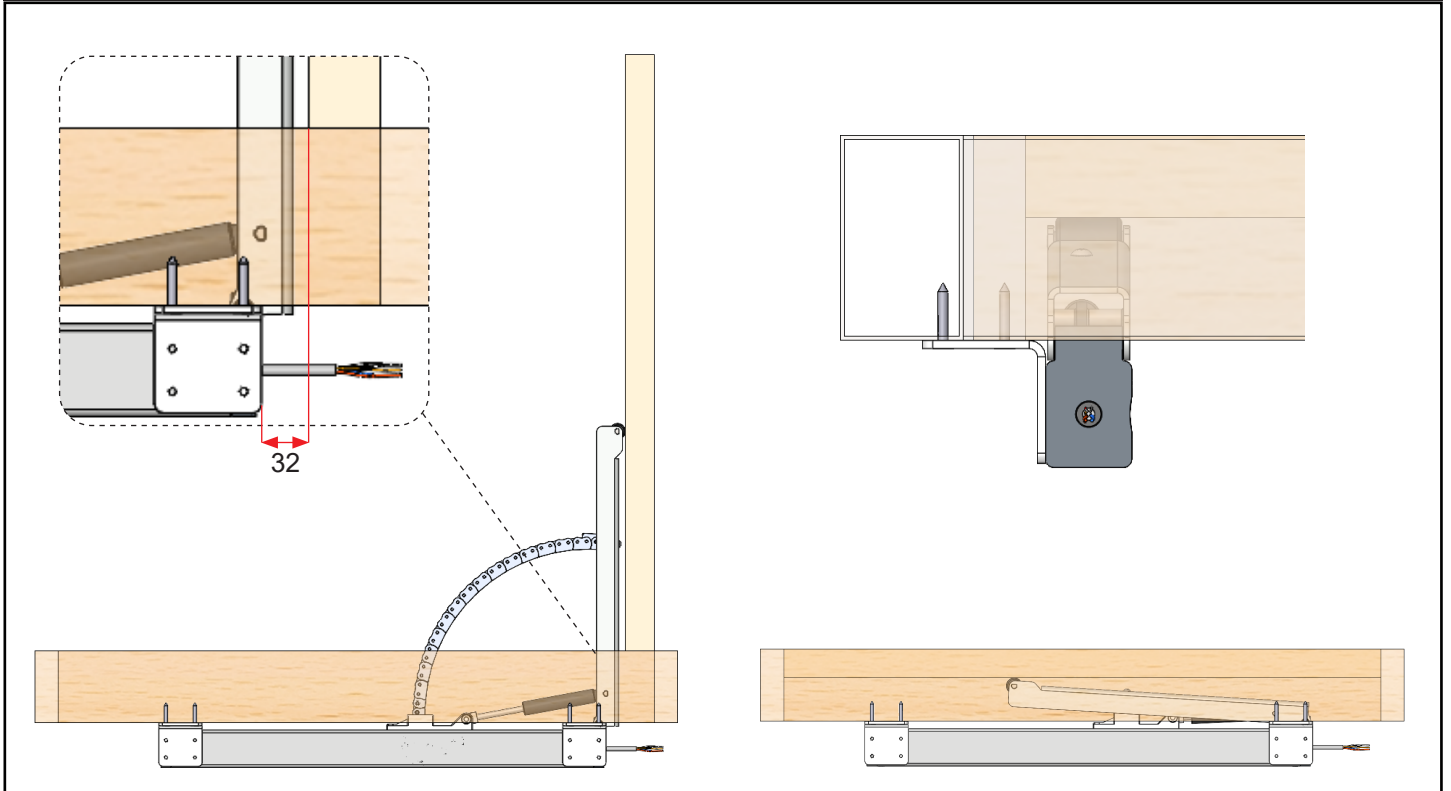


## HCV DOOR DRIVE

DATA SHEET  
#211471

Electrical door opener  
Model: HCV

### Mounting: Outward-opening door



### Mounting: Inward-opening door

