

HCVA CHAIN DRIVE

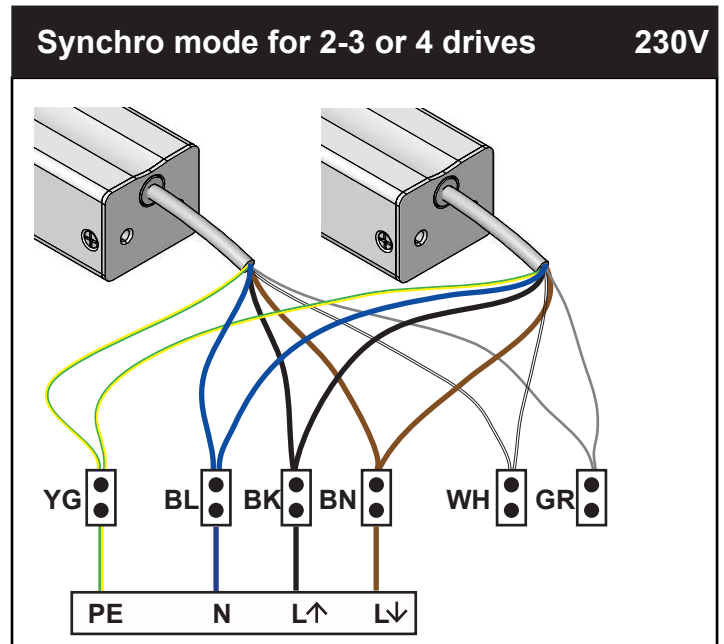
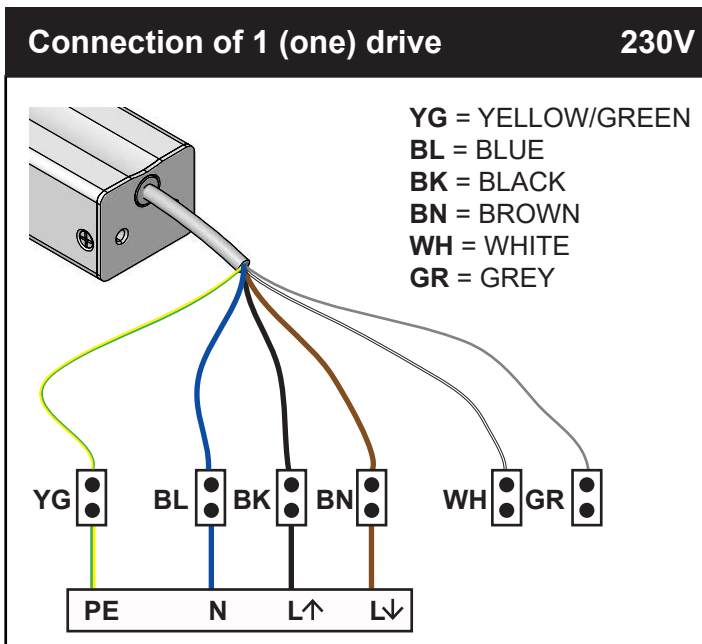
DATA SHEET
#211488

Electrical window opener for Roof and Facade
Model: **HCVA**

ELECTRICAL CONNECTION



- Operating voltage **230V**
- **Must be connected to protective earth (PE)**
- Connection must be carried out by authorized electricians!
- Ensure that people keep away from the operation area of the drives. Danger of violent pressure in accessible area!
- Use only in dry environments!
- Rain sensor is recommendable when comfort opening is available.
- The installer or the project responsible is obliged to make risk analysis.



SUPPLY

BLACK and BROWN (L)

Direction	↑	↓
Colour	BLACK	BROWN

YELLOW / GREEN

PE

BLUE

N

WHITE and GREY

White and Grey wires are used for communication and must be connected in use for Syncro of 2-3 or 4 drives.

Syncro-mode requires programming by Actulux or by PMD-Tool.



Disposal

Electrical equipment, accessories and packaging should be recycled for environment protection!

Don't dispose electrical equipment into household waste!

Only for EU-Countries: According to the European guideline 2002/96/EG about waste electrical and electronic equipment and its implementation into national law, useless electrical and electronic equipment must be separately collected and recycled for environment protection.

HCVA CHAIN DRIVE

DATA SHEET
#211488

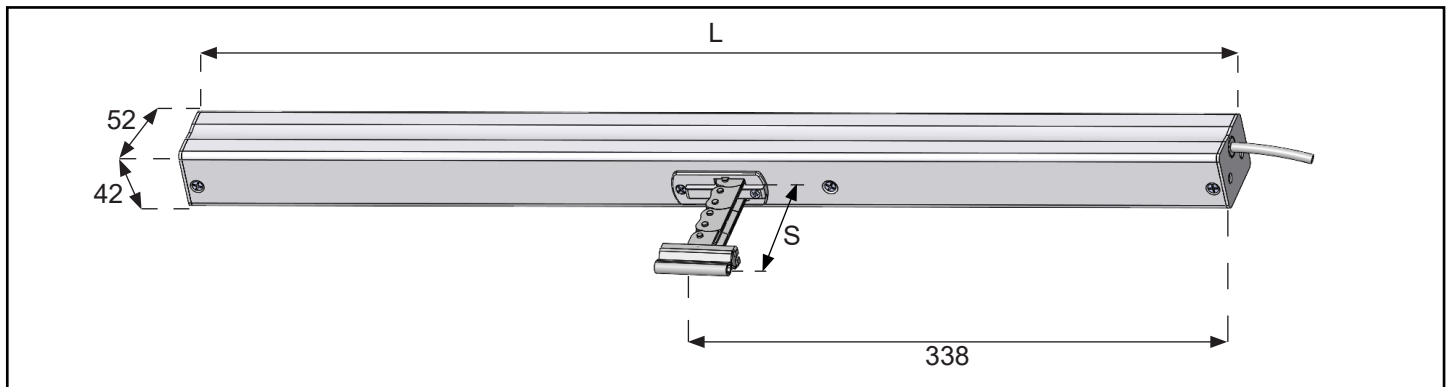
Electrical window opener for Roof and Facade
Model: **HCVA**

TECHNICAL DATA

Power supply	190-250VAC/50 HZ Max 13A
Consumption	0,5 A/230VAC
Locking force	2500N
Lifecycle	>11,000 double strokes
Duty cycle	30% v. 10 min. running time
Protective class	IP32
Temperature range	-25°C ~ +75°C

2 speed levels	Comfort (silent) / FIRE < 60 sec.
Soft Close	Reduced closing force 50mm/200N
Standard colour	White (RAL 9010)
Cable length	2.5m Silicone cable

Designed in accordance with EN 12101-2 and EN 50130-4.



Item no.	Model	Power supply	Push force	Pull force	Stroke (S)	Speed (comfort)	Speed (fire)	Length (L)
31020100	HCVA 500/350	230VAC	500N	500N	350mm	7mm/s	7mm/s	586mm
31020200	HCVA 500/600		500N		600mm	7mm/s	**10mm/s	711mm
31020300	HCVA 500/800		*		800mm	10mm/s	**14mm/s	811mm
31020400	HCVA 500/1000		*		1000mm	10mm/s	**17mm/s	916mm

*Use only for bottom and side hung window (If other uses are considered, contact your supplier)

**FIRE Speed requires programming by Actulux or by use of PMD-Tool



PMD Tool



Accessories



Control Panels



DOC