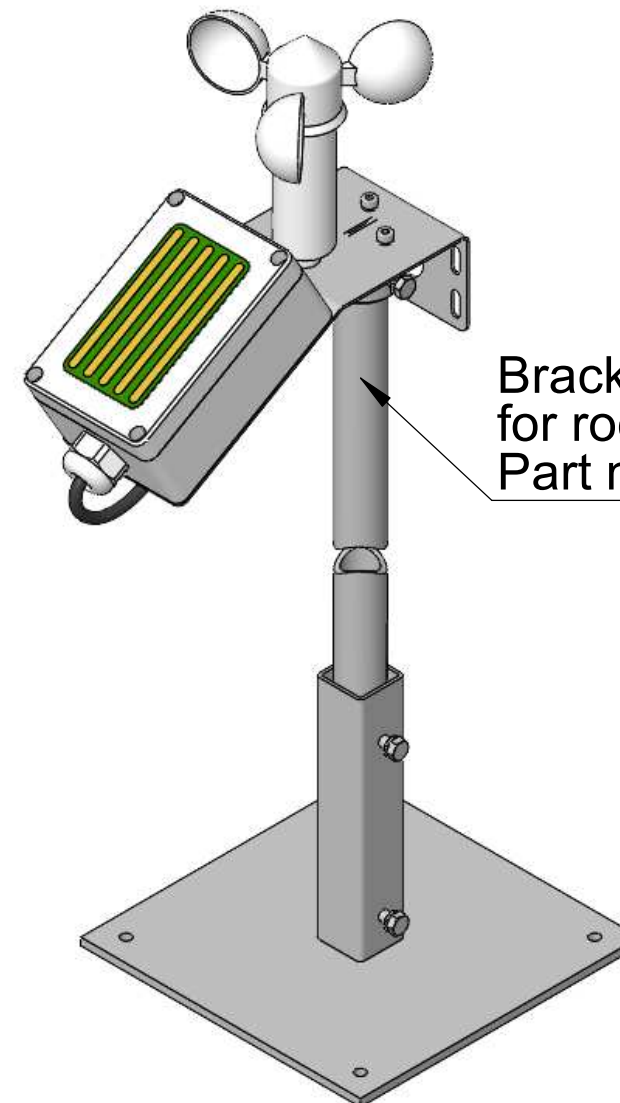
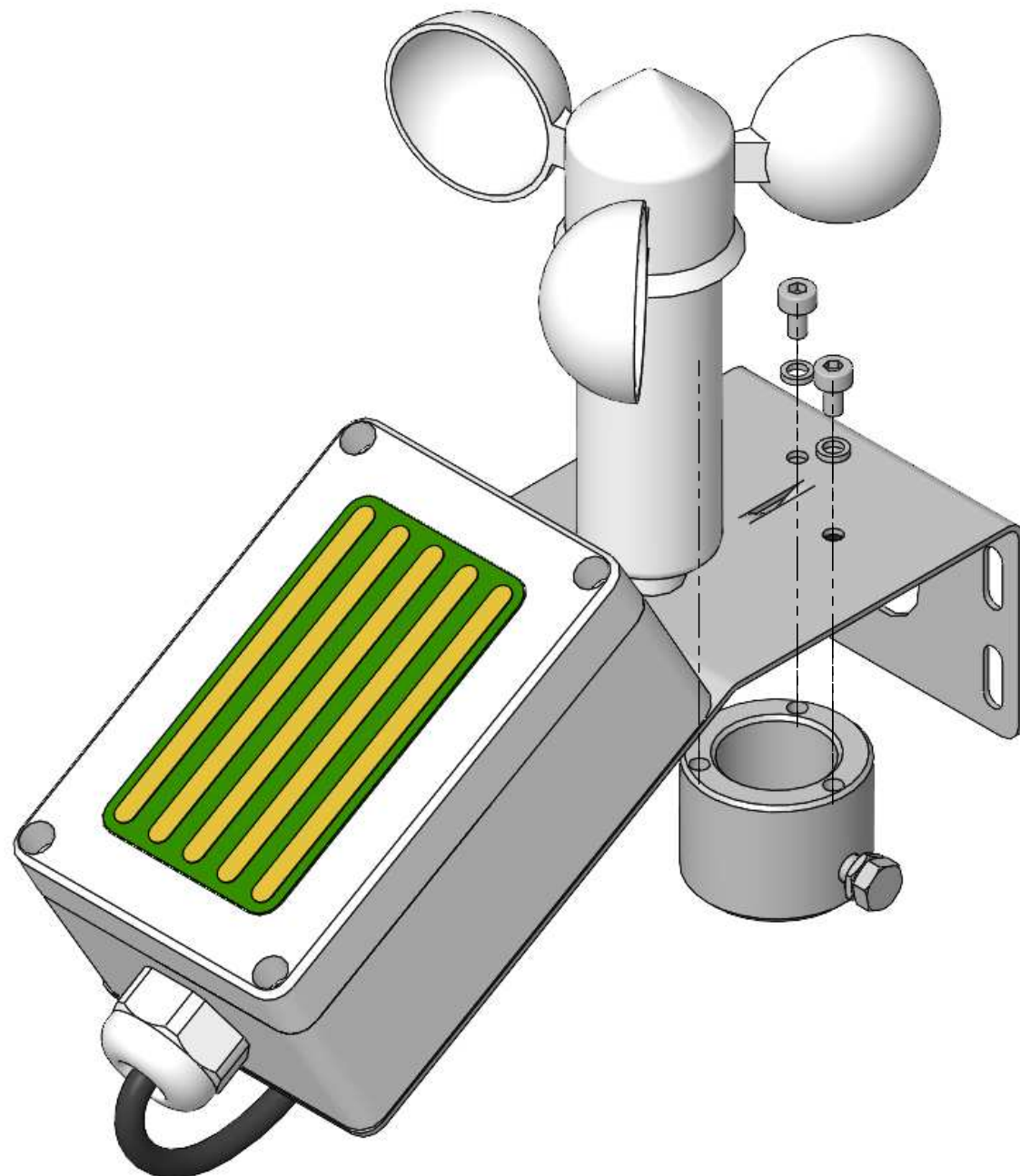


Bracket set  
for wall mounting  
Part no. 99600025



Bracket set  
for roof mounting  
Part no. 99600024



**Actulux**

Actulux A/S  
Haandvaerkevej 2  
DK 9560 Hadsund  
Denmark

Phone int.: +45 98 57 40 90  
Fax int.: +45 96 15 28 00  
e-mail: info@actulux.com  
www.actulux.com

DRAWN BY: PSP

DATE: 07-04-17

SIZE:  
A4

SHEET:  
1 OF 1

SCALE:  
1:20

TITLE: **Mounting instruction**  
**Wind and Rain sensor**

DWG NO.:  
**154332**

REV:  
**A**