

## SA Power Installation

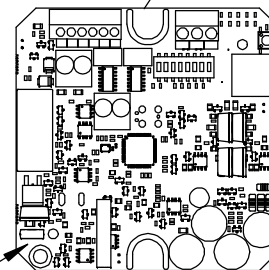
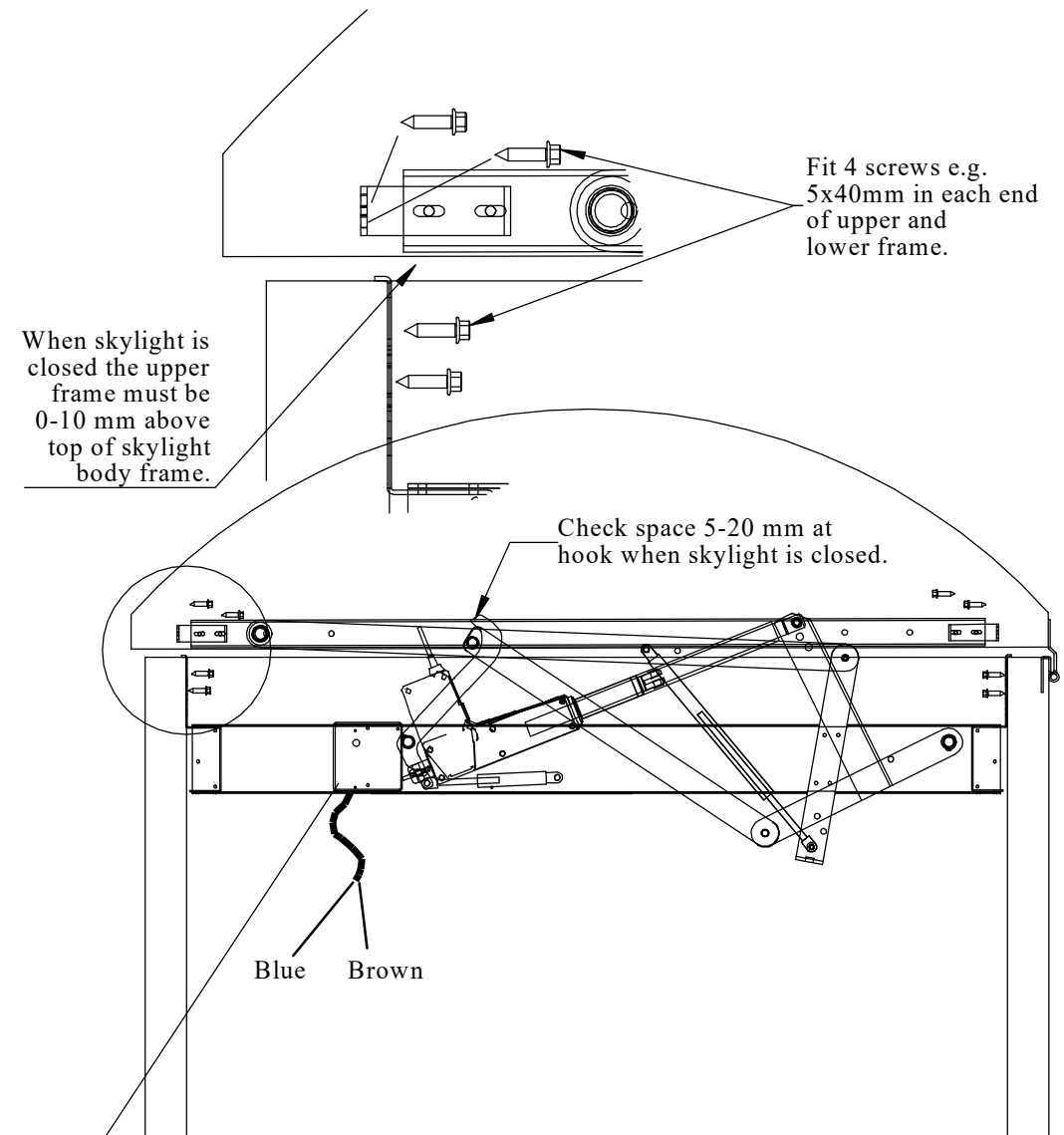
Place the Actulux SA Power opening system in center of the skylight.

- 1) The main part with the actuator and arm system is lowered into the skylight body frame, and fixed by 4 screws in each end. The grey plastic actuator body should be opposite to the hinges.
- 2) The upper frame is mounted with 4 screws in each side. The U-rails must be 0-10 mm above the top of the lower skylight body frame.
- 3) All adjustments are made from factory. No further mechanical or electronic adjustments are necessary.
- 4) The actuator can be test operated up and down by connecting a 18-48V battery on the test wires. When the black wheels are aligned with the U-rail cut the plastic strip, which holds the spring loaded wheels. The wheels expand into the U-rails.

## Electrical Connection Information

- 5) The opening system **must always** be connected to 24/36 or 48VDC from the control panel. Connect through terminal 1&2 on the overload interrupter (LIP) that is fitted in series with the actuator, as the actuator has no limit switches.

**The actuator will be destroyed** if the overload interrupter (LIP) is not installed in series with the actuator.



LIP 7

Electrical connection  
24/36 or 48VDC from control.

# Actulux

Actulux A/S  
2. Haandvaerkervej  
DK 9560 Hadsund  
Denmark

Phone int.: +45 98 57 40 90  
Fax int.: +45 96 15 28 00  
e-mail: info@actulux.com  
www.actulux.com

## 110780