

**Special****Features & Benefits:**

- Multiple cable entries
- Lots of cable space
- 2mm² wire terminals

Fire Switch MCP- IP43, IP54 and IP65 for Actulux smoke ventilation systems



IP43



IP54 / IP65



Accessories: Cover for outdoor use

Fire Switch MCP for Smoke Ventilation Systems IP43, IP54 and IP65

EASY INSTALLATION AND OPERATION

The fire switch is developed to be used together with the Actulux smoke ventilation system.

Buzzer silent when door opens.

Cable entry from top, bottom or back.

OPERATION INSTRUCTIONS

During fire: Break the glass and activate the red button.

During test: Open the door and activate the red button.

Closing and alarm reset: Open the door - activate the reset button, alarm is reset and skylights will close.

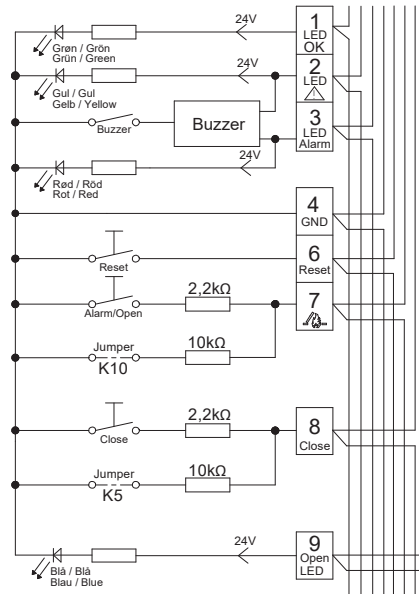


Connection diagram for MCP

Terminals (2mm²):

1. Green LED, OK
2. Yellow LED, Failure
3. Red LED, ALARM
4. Ground (-)
6. Fire switch emergency closing (reset)
7. Fire switch emergency opening (fire)
8. Close
9. Blue LED, OPEN indication

Jumper K10 must only be set in the last or only fire switch



SPECIFICATIONS

Function: Alarm (open), reset and buzzer off

LED indication: "ok" (green), "error" (yellow), "alarm activated" (red), "open" (blue)

Size MCP: 125mm x 125mm x 36mm (W x H x D)

Size Cover (outdoor): 130mm x 145mm x 55mm / 35mm (W x H x D)

Temperature range: (-25°C to + 60°C)

Colour: Grey or Orange

Material: Metal

IP rating: IP43, IP54 and IP65

Consumption on error: 1.7 mA

Item no. MCP IP43: 511582 (GREY RAL 7035) / 511592 (ORANGE RAL 2011)

Item no. MCP IP54: 511583 (GREY RAL 7035) / 511593 (ORANGE RAL 2011)

Item no. MCP IP65: 511584 (GREY RAL 7035) / 511594 (ORANGE RAL 2011)

Item no. Cover (outdoor): 219060 (GREY RAL 7035) / 219061 (ORANGE RAL 2011)