



**Extended features for chain drives - Type HOC**  
compatible with Actulux series HCV

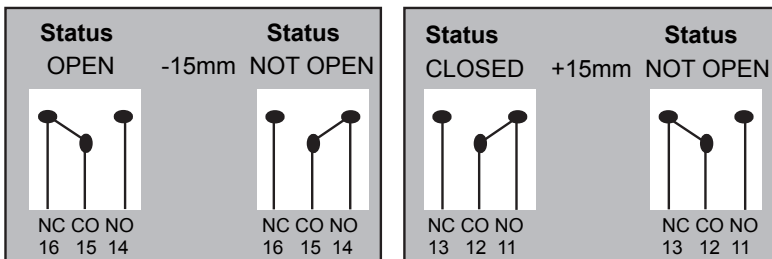


## EXTENDED FEATURES FOR CHAIN DRIVES

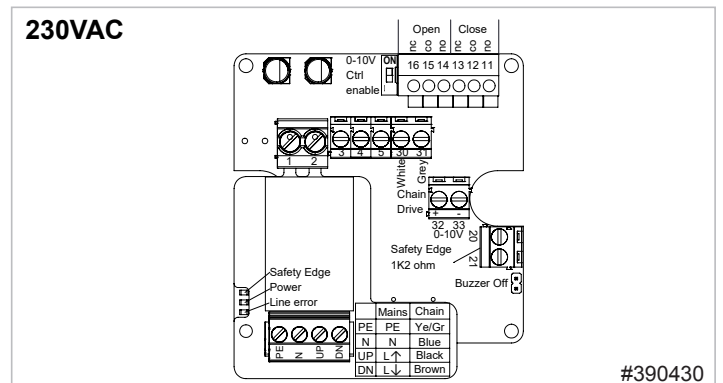
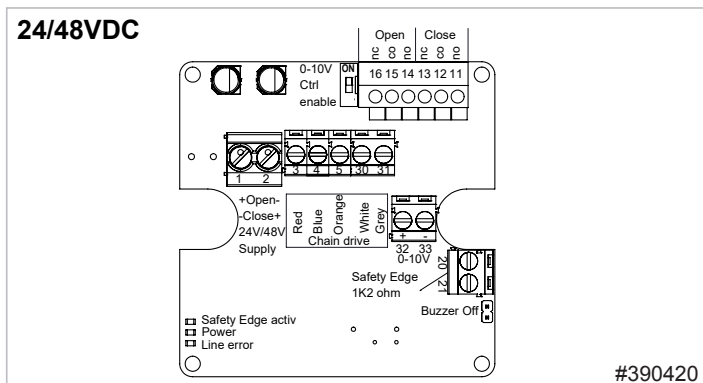
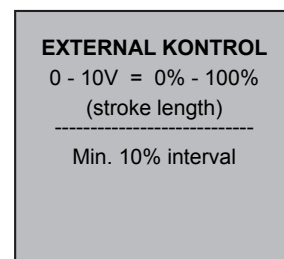
HOC is an advanced electronic product which is used to add features in new, but also already installed chain drives. HOC is compatible with 3. generation of Actulux chain drives.

- Open / Close indication (bistable relays)
- Building Management System (BMS) 0-10V control
- Interface for MAYSER Safety Edge (true Anti Pinch)

## INDICATION FOR OPEN / CLOSE



## INPUT = STROKE LENGTH



FEATURES
Power Supply: 24/48VDC +/- 15% Max. Ripple: 2 Volt PP
Max. power in the position relay: 30VDC / 2A
Dimensions (L x W x D): 86 x 86 x 39 mm
Colour: White / IP rating: IP54
Meets requirements: EN12101-2/EN60335-1/EN50130-4/Marking: CE
Product number: 390420 (Standard) / 390421 (BMS 0-10V control)

FEATURES
Power Supply: 230VAC +/- 15%
Max. power in the position relay: 30VDC / 2A
Dimensions (L x W x D): 100 x 100 x 50 mm
Colour: White / IP rating: IP54
Meets requirements: EN12101-2/EN60335-1/EN50130-4/Marking: CE
Product number: 390430