



#111943



#111944

**Comfort Switch, Type FUGA**  
with open indication

## Comfort Switch with open indication, Type FUGA

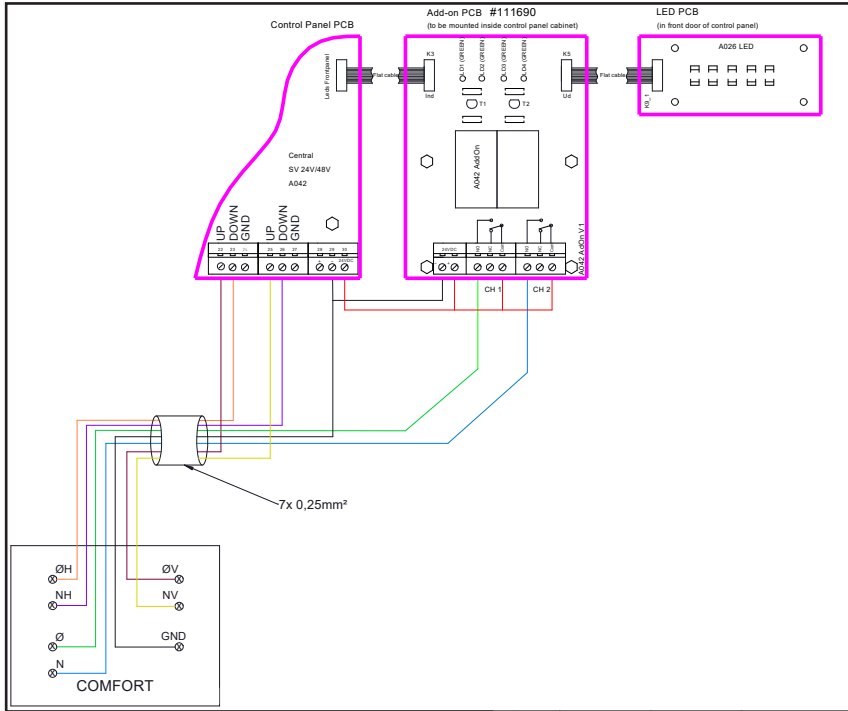
### MANUAL CONTROL OF COMFORT VENTILATION

Comfort switch with open indication for manual operation of comfort ventilation, e.g. in connection with 24V fire and smoke ventilation systems.

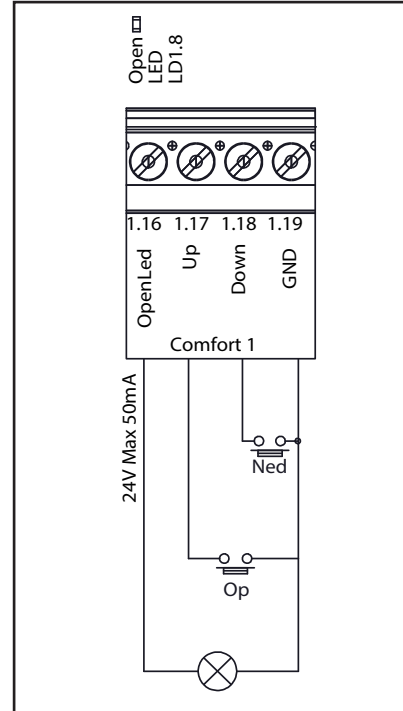
The switch comes with a base for wall mounting as standard.

Dimensions: 50x50x40mm

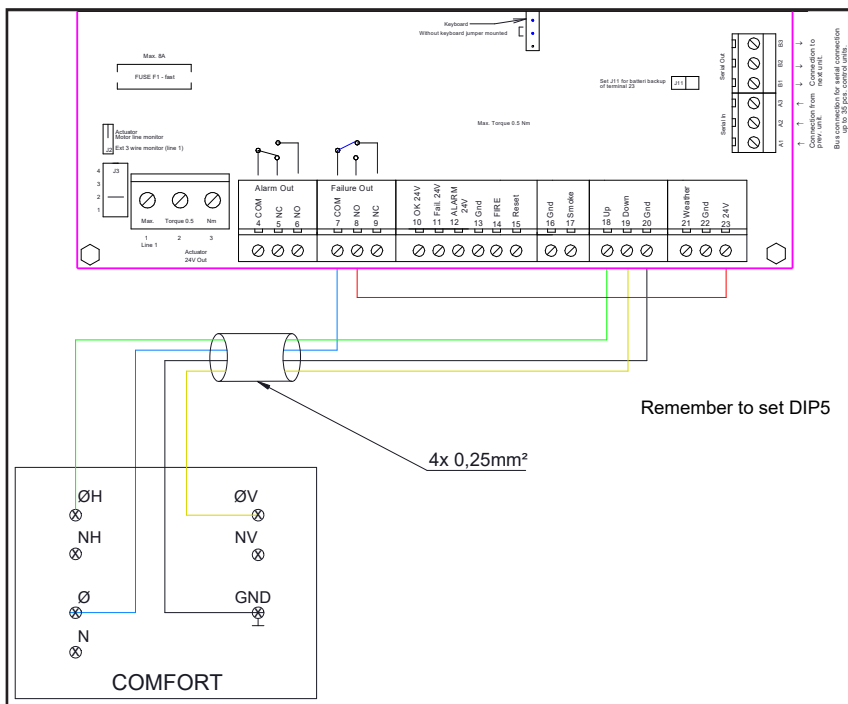
SV Control Panel



SVL Control Panel



SVM Control Panel



SVM EI Control Panel

