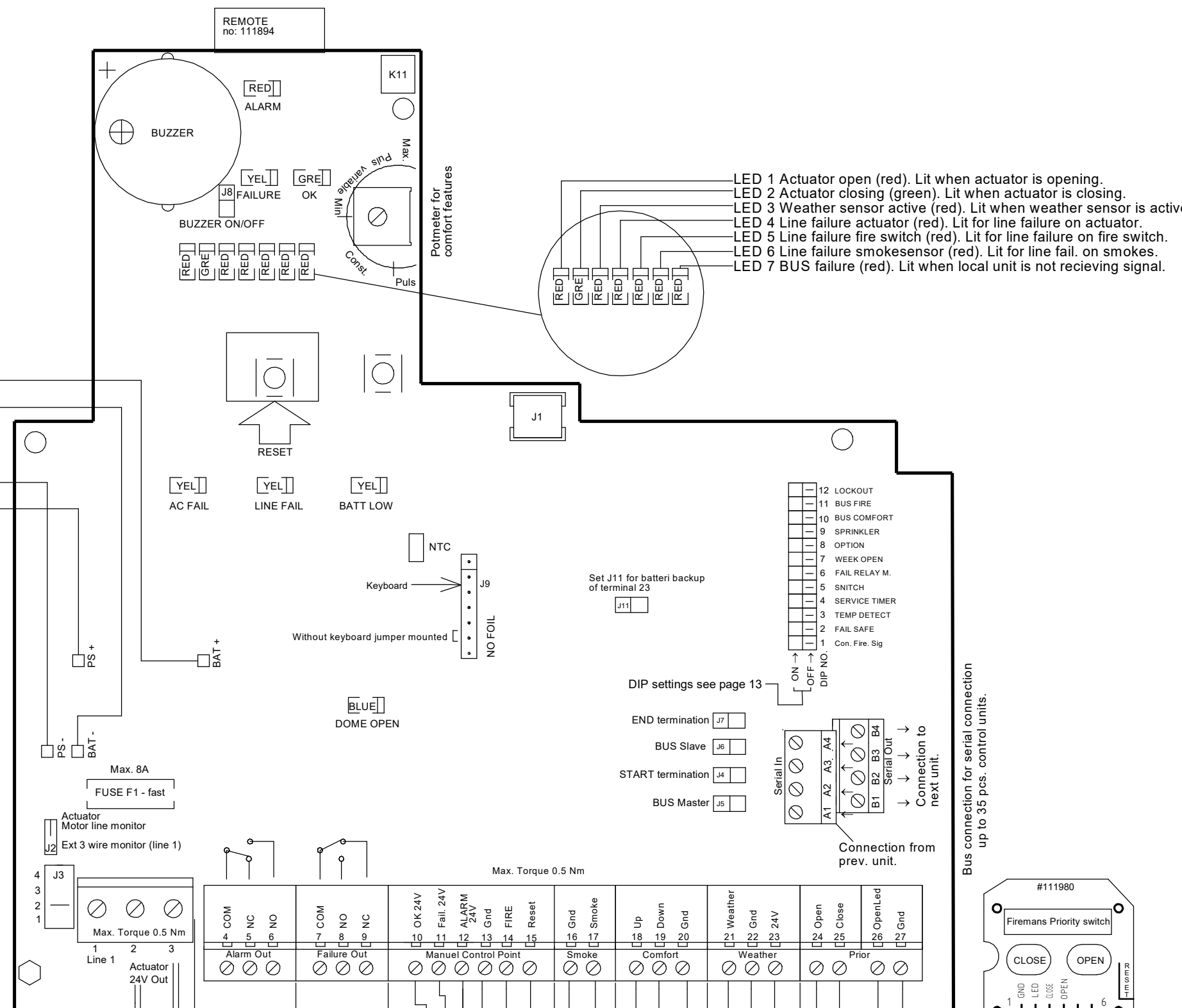


Connection SVM EI 24V - 5A/8A

Batteries 2x 12V - 7,2 Ah

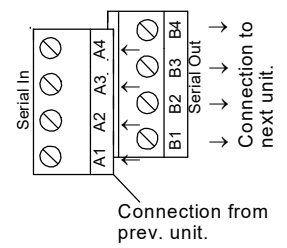


- LED 1 Actuator open (red). Lit when actuator is opening.
- LED 2 Actuator closing (green). Lit when actuator is closing.
- LED 3 Weather sensor active (red). Lit when weather sensor is active.
- LED 4 Line failure actuator (red). Lit for line failure on actuator.
- LED 5 Line failure fire switch (red). Lit for line failure on fire switch.
- LED 6 Line failure smokesensor (red). Lit for line fail. on smokes.
- LED 7 BUS failure (red). Lit when local unit is not receiving signal.

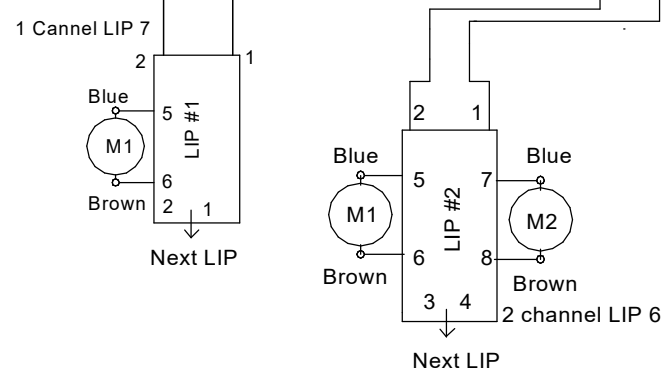
See page 12

- 12 LOCKOUT
- 11 BUS FIRE
- 10 BUS COMFORT
- 9 SPRINKLER
- 8 OPTION
- 7 WEEK OPEN
- 6 FAIL RELAY M.
- 5 SWITCH
- 4 SERVICE TIMER
- 3 TEMP DETECT
- 2 FAIL SAFE
- 1 Con. Fire. Slg

- END termination J7
- BUS Slave J6
- START termination J4
- BUS Master J5



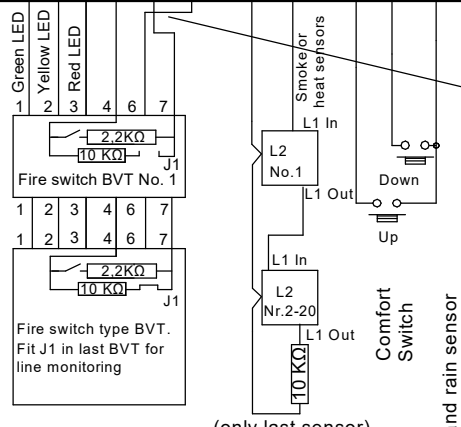
Bus connection for serial connection up to 35 pcs. control units.



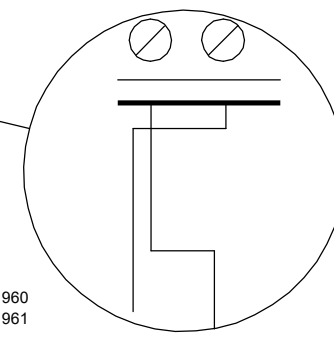
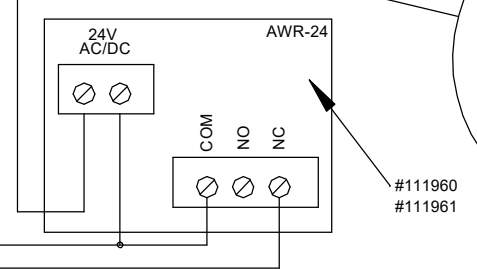
Potential free ALARM switch.
Com + NO connected on alarm.
Max 48V 0,5A

Potential free Failure switch.
Com + NO connected on failure.
Max 48V 0,5A

Extra relay print #111933 provides 2 additional potential free contacts each 30V 0,5A



Wind and rain sensor (Close all)



Connection diagram SVM EI 24
Drawing: 211863_B