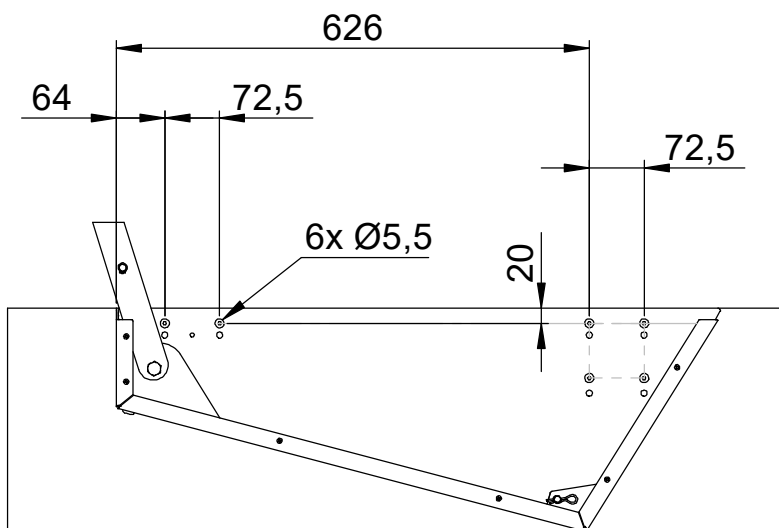
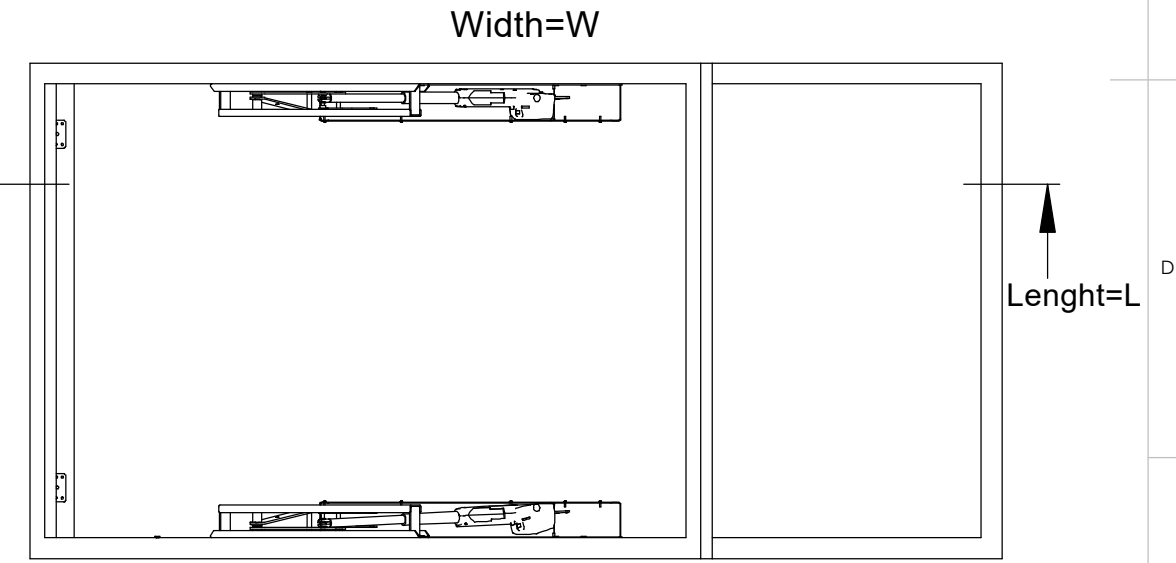
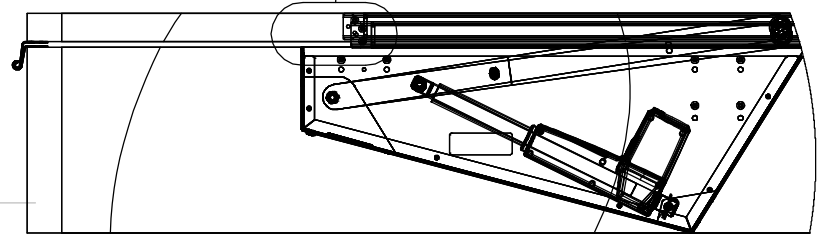
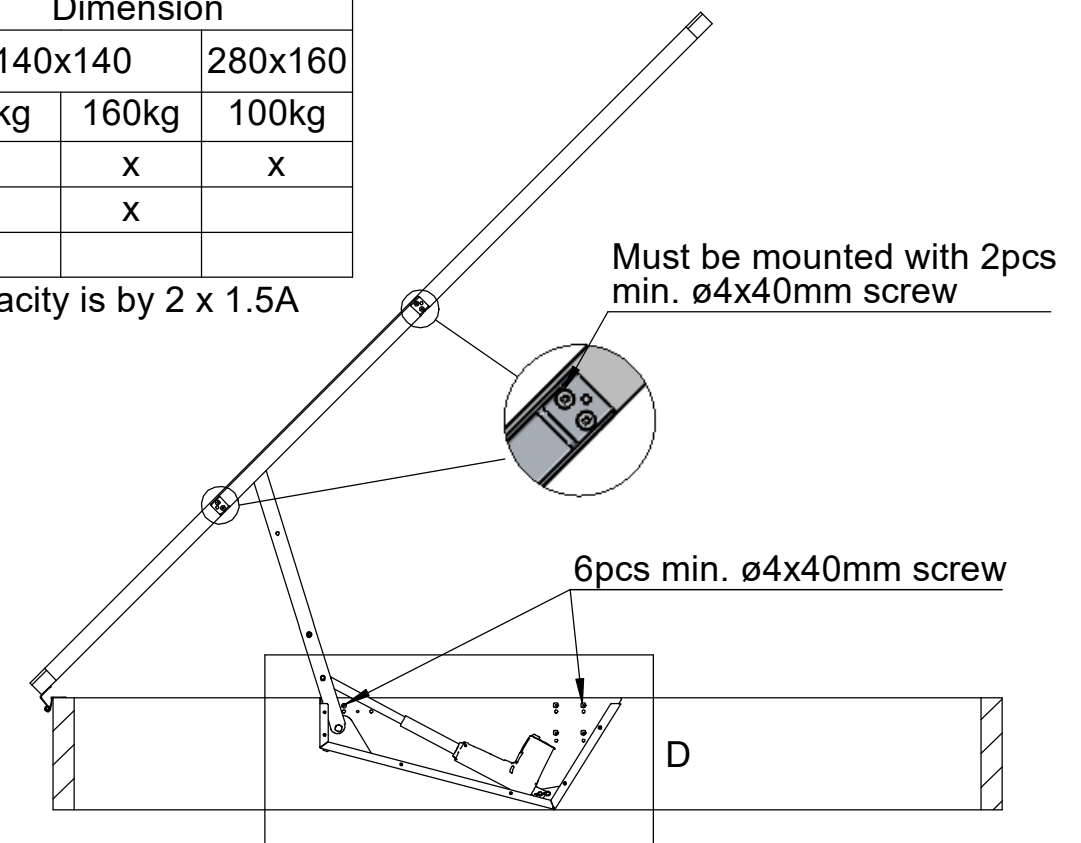
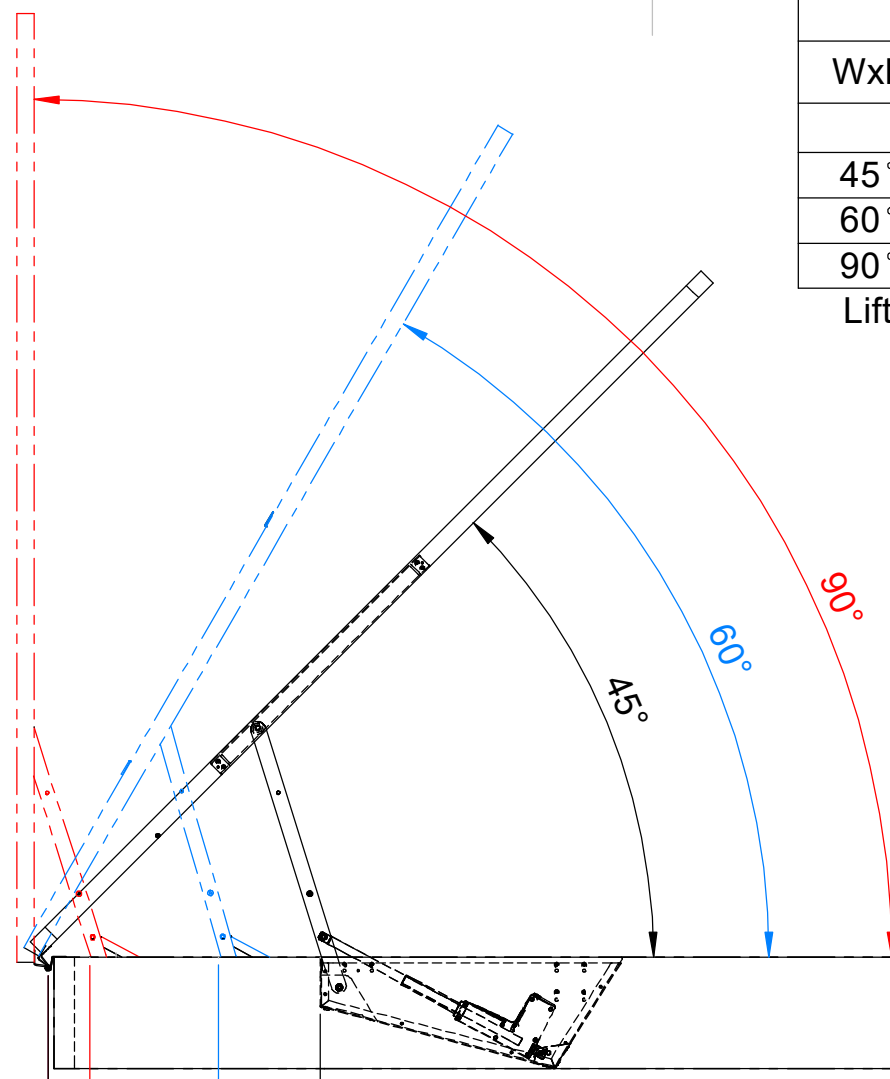
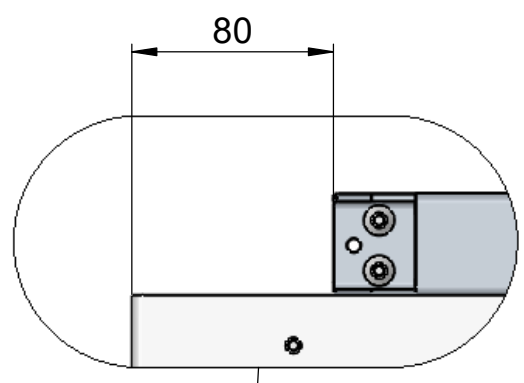
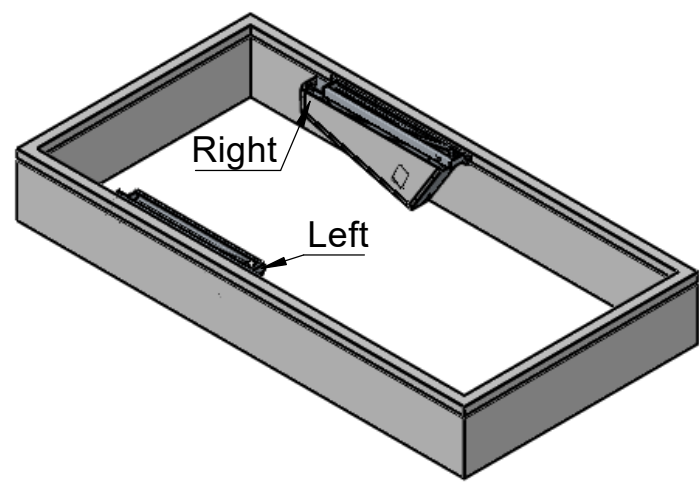


WxL	Dimension		
	140x140	280x160	
	90kg	160kg	100kg
45°	x	x	x
60°	x	x	
90°	x		

Lifting capacity is by 2 x 1.5A

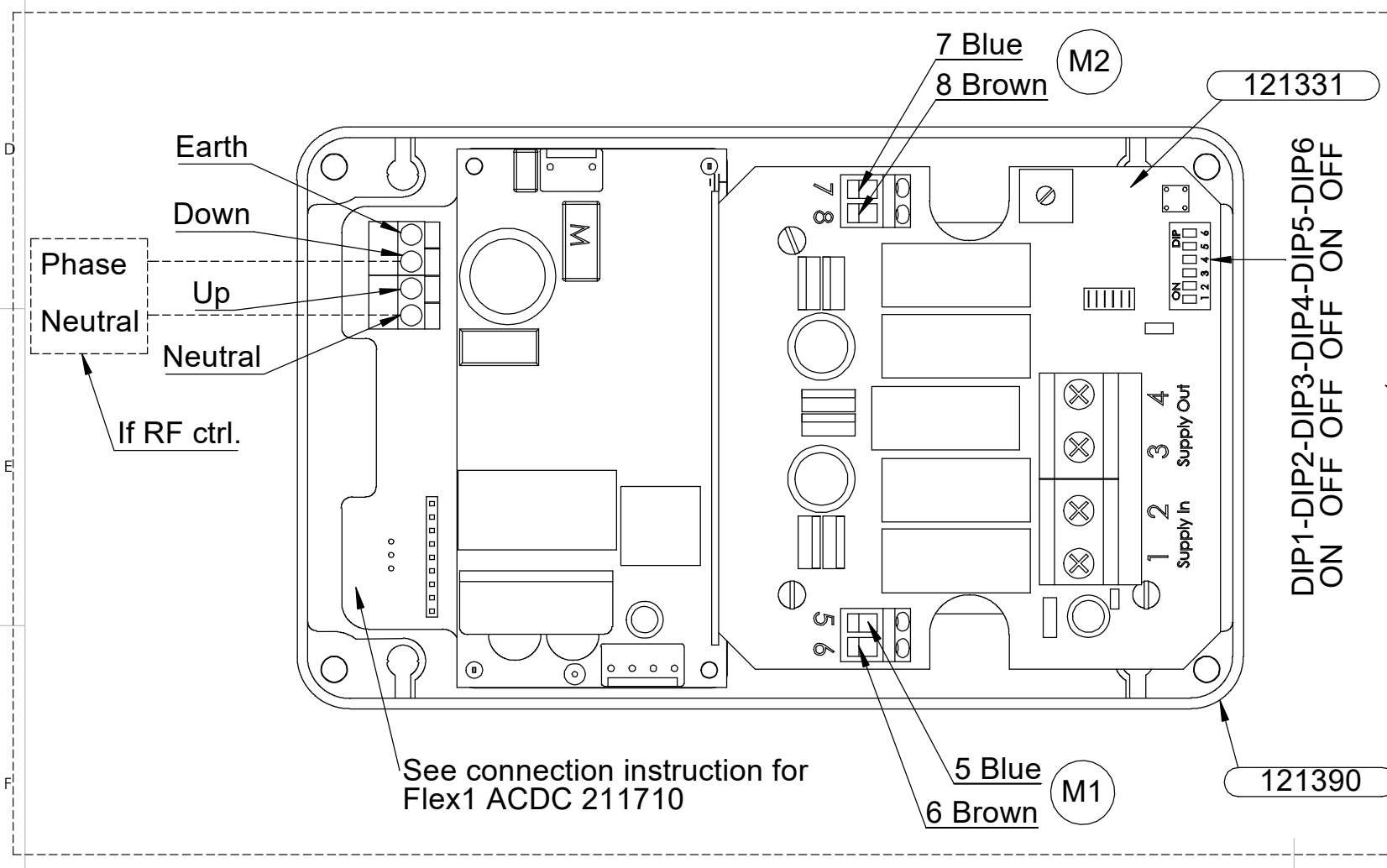
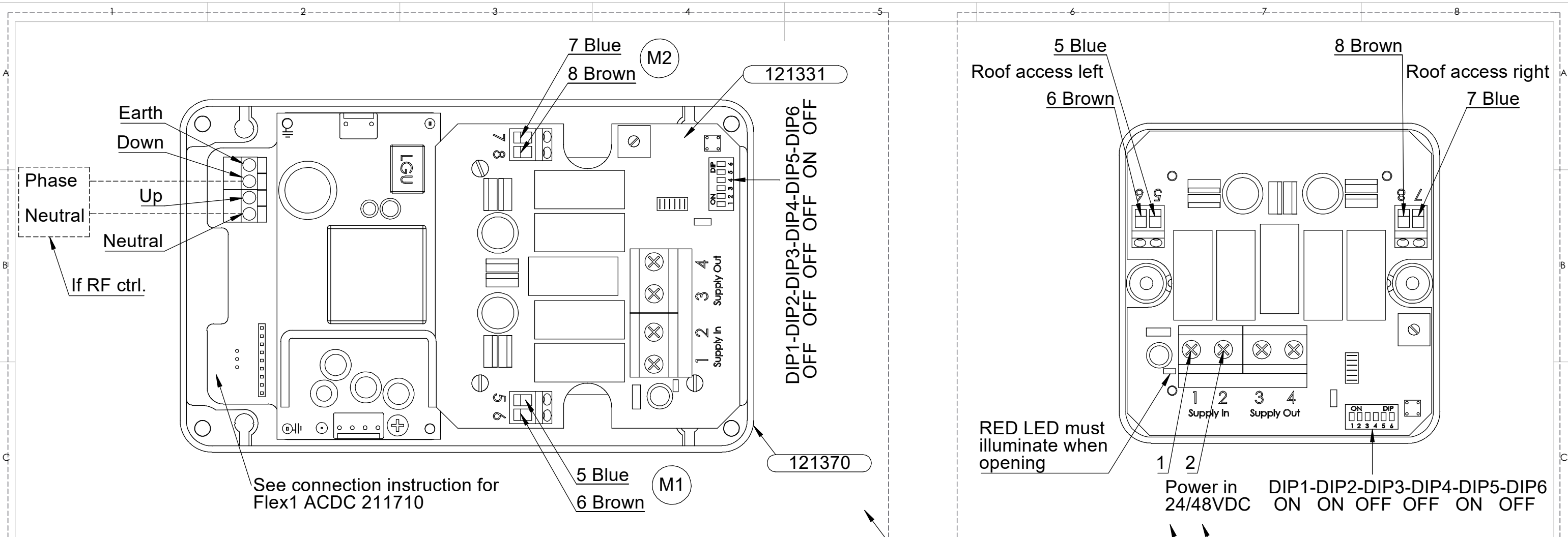


DETAIL D
SCALE 1 : 10



The measure are indicative
as the hinge type and frame depth is decisive

This Document contains proprietary data of Actulux A/S. No information, reproduction or use of any part thereof may be used without written permission.			
Tolerances unless otherwise specified: DS/ISO 2768-m Welding processes: DS/ISO 13920-BH		Actulux A/S Porsborgparken 35 DK 9530 Stoevring Denmark	Phone: +45 98 57 40 90 e-mail: info@actulux.com www.actulux.com
SURFACE TREATMENT/FINISH: -		MATERIAL: Material <not specified>	SIZE: A3 SHEET: 1 OF 2 SCALE: 1:20
WEIGHT: 169.330 KG.		TITLE: Mounting instruction Roof access	DWG NO.: 154355 REV: J
DRAWN BY: PSP	DATE: 01-09-15		



**Flex1 ACDC / 230V/24V 3A
#121371**

**LIP6 A044 24V/48V Cur.limit.2x2,5A Ac
#121333**

**LIP6 A044 24V/48V Cur.limit.2x2,5A
low closing value Ac
#CFL31333**

**Flex1 ACDC / 230V/24V 6A
#121391**

This Document contains proprietary data of Actulux A/S. No information, reproduction or use of any part thereof may be used without written permission.		Actulux	
Tolerances unless otherwise specified: DS/ISO 2768-m Welding processes: DS/ISO 13920-BH		Actulux A/S Porsborgparken 35 DK 9530 Stoevring Denmark	Phone: +45 98 57 40 90 e-mail: info@actulux.com www.actulux.com
SURFACE TREATMENT/FINISH: -	MATERIAL: Material <not specified>	SIZE: A3	SHEET: 2 OF 2
WEIGHT: 169.330 KG.	TITLE: Mounting instruction Roof access	SCALE: 1:20	REV: J
DRAWN BY: PSP	DATE: 01-09-15	DWG NO.: 154355	