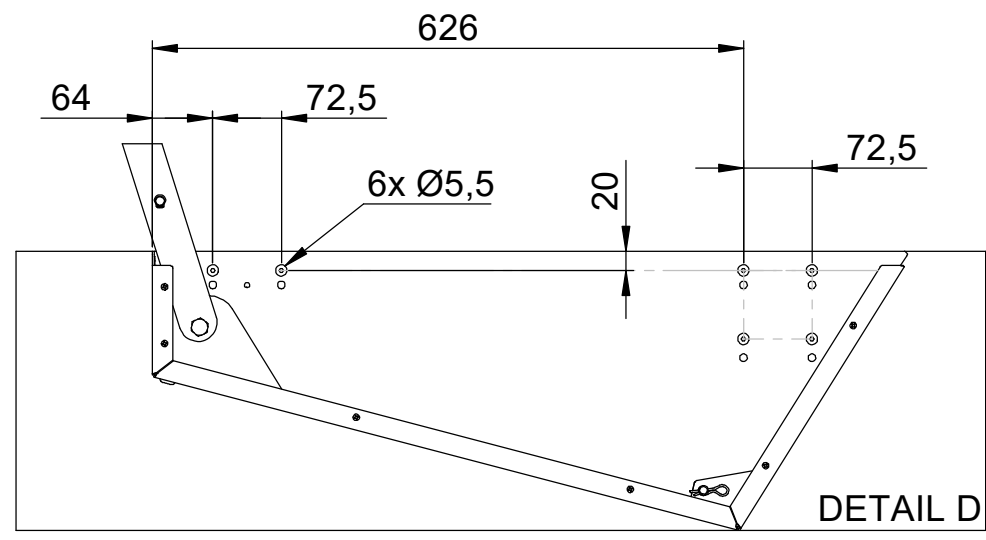
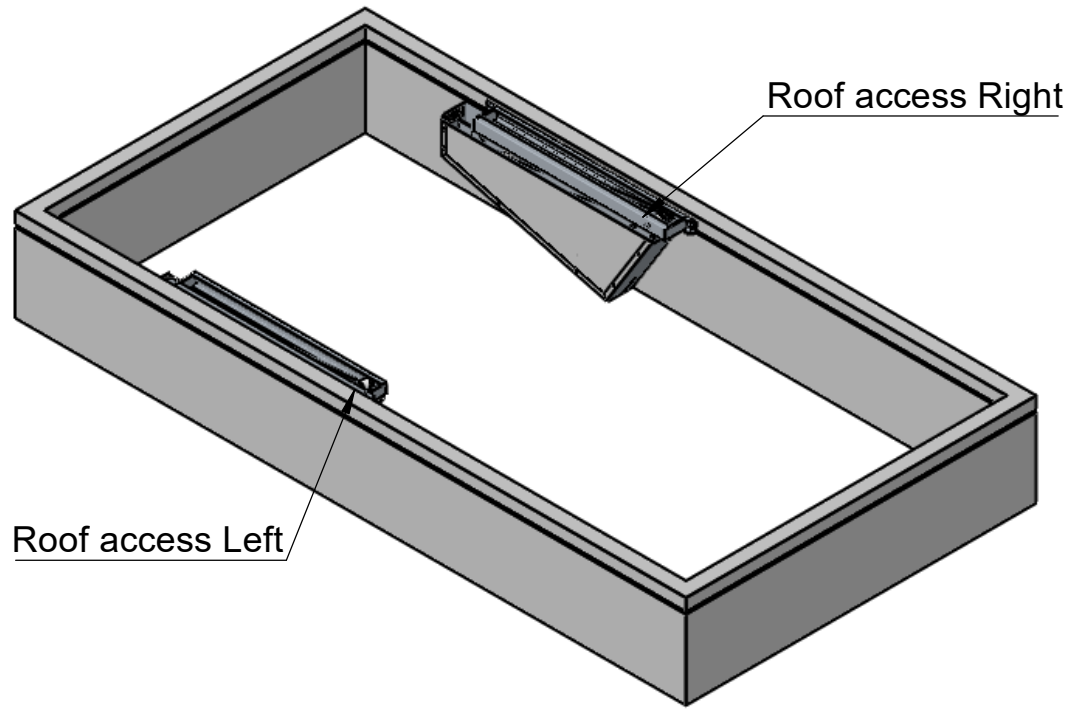
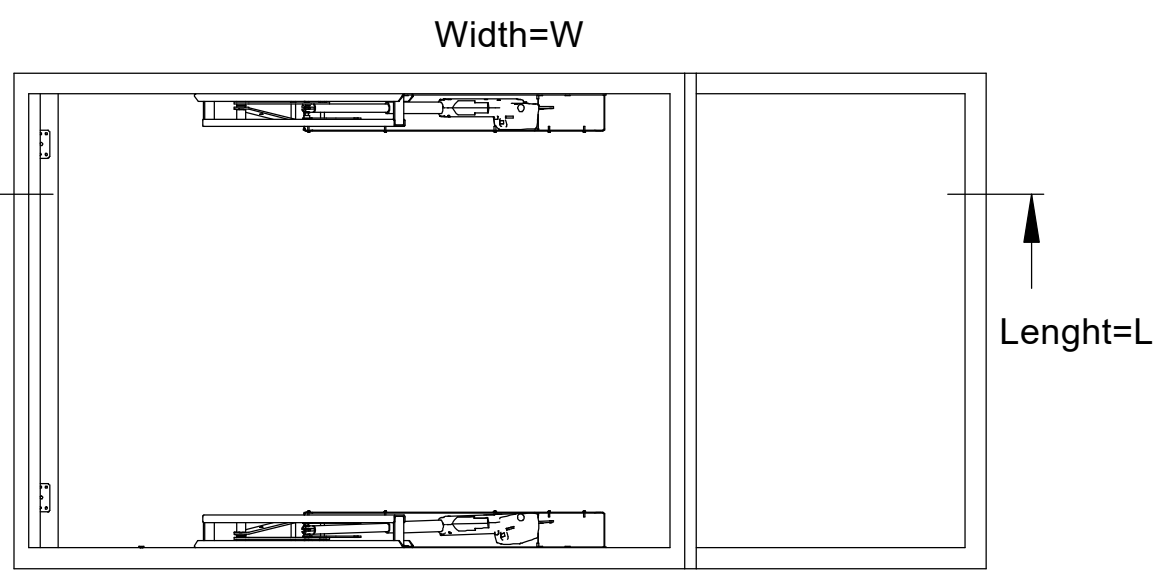
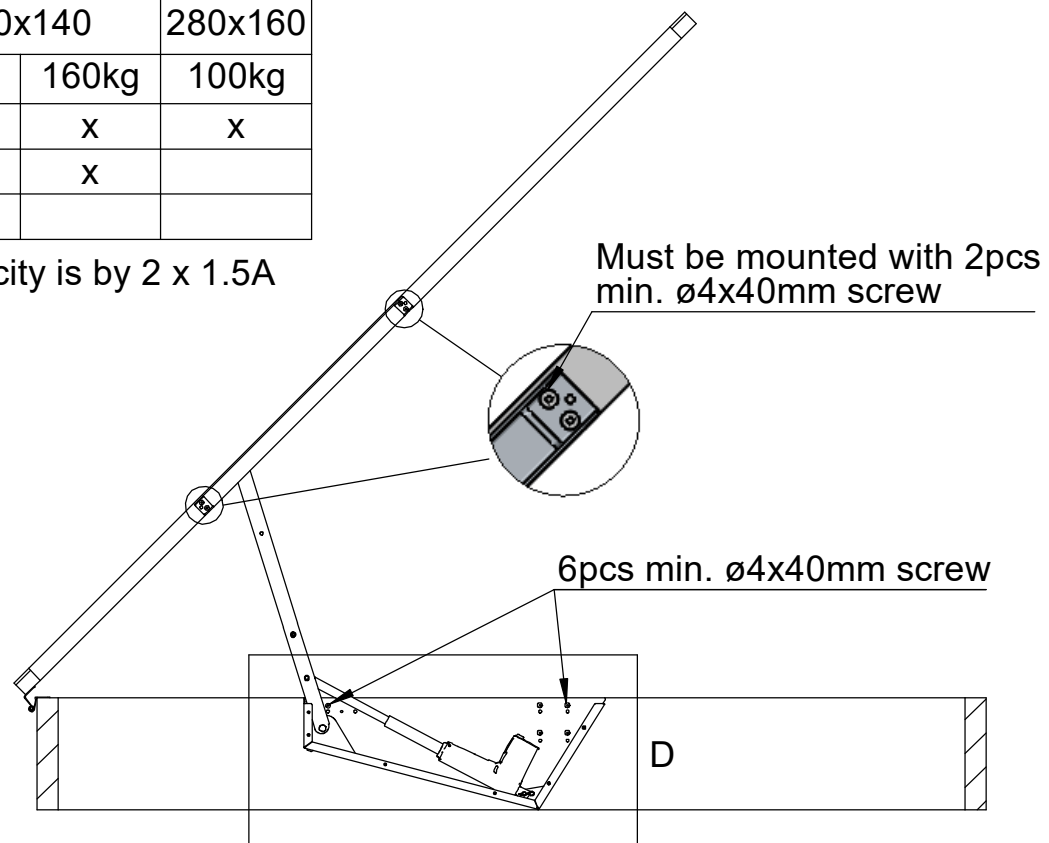
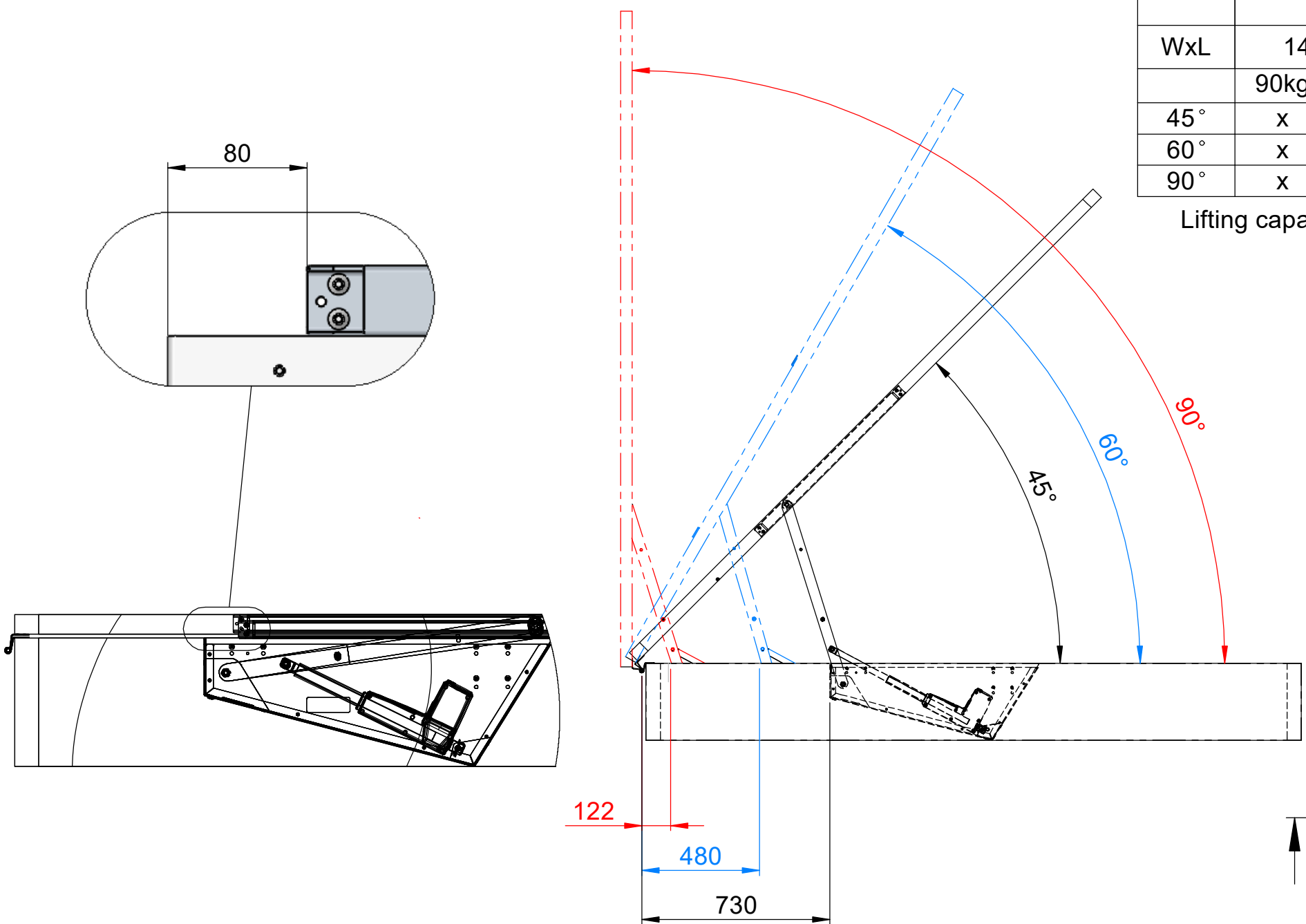


WxL	Dimension		
	140x140	280x160	
	90kg	160kg	100kg
45°	x	x	x
60°	x	x	
90°	x		

Lifting capacity is by 2 x 1.5A

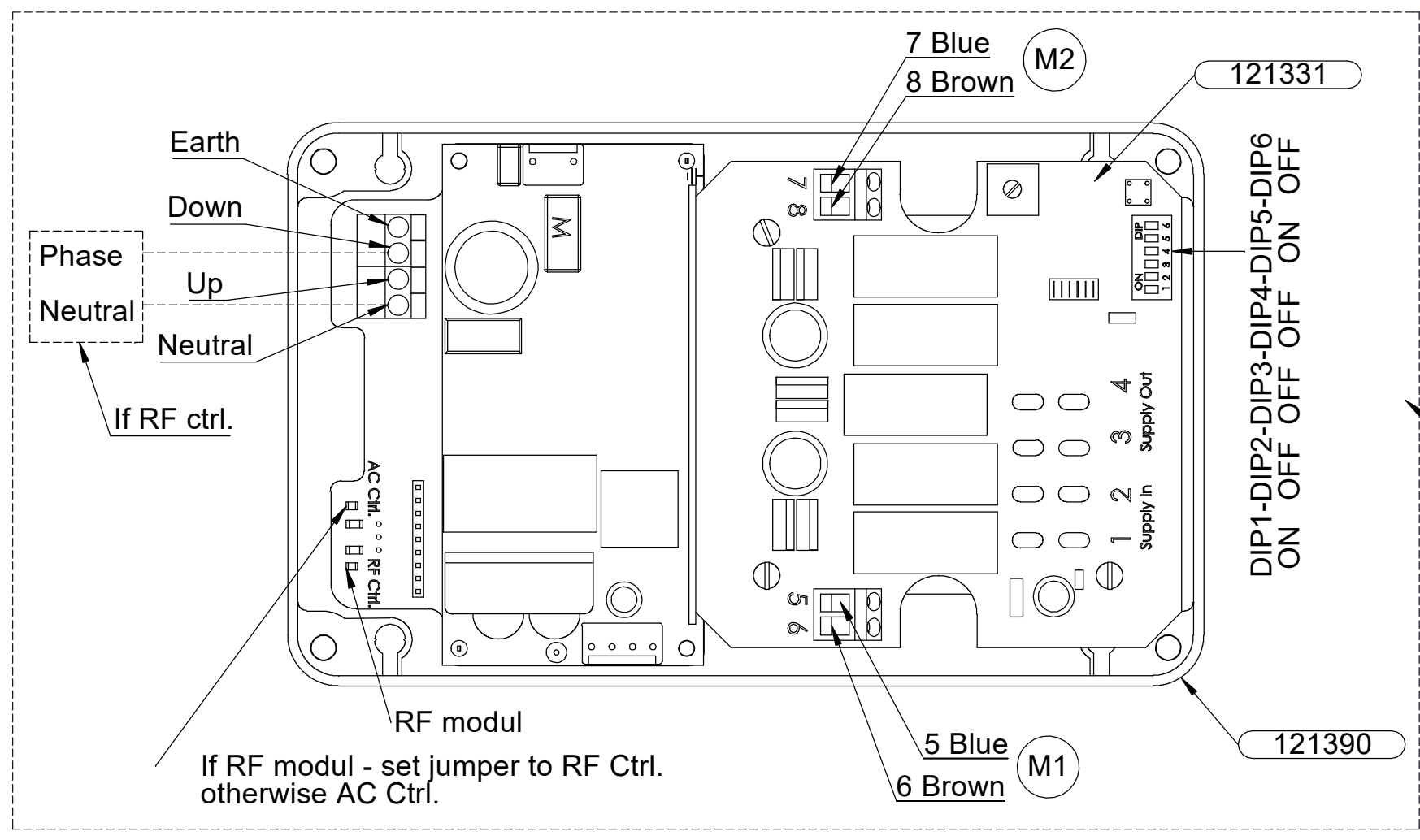
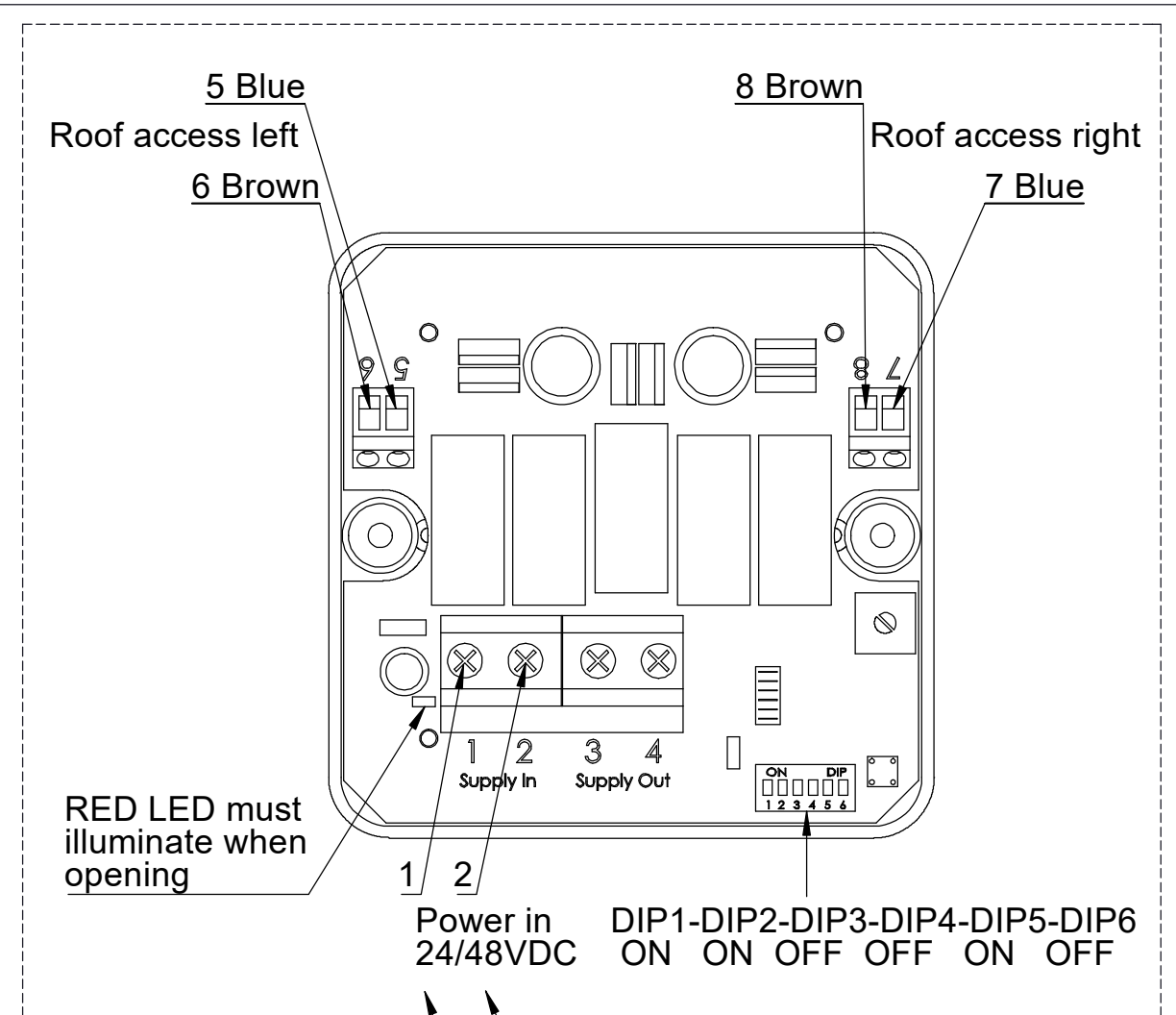
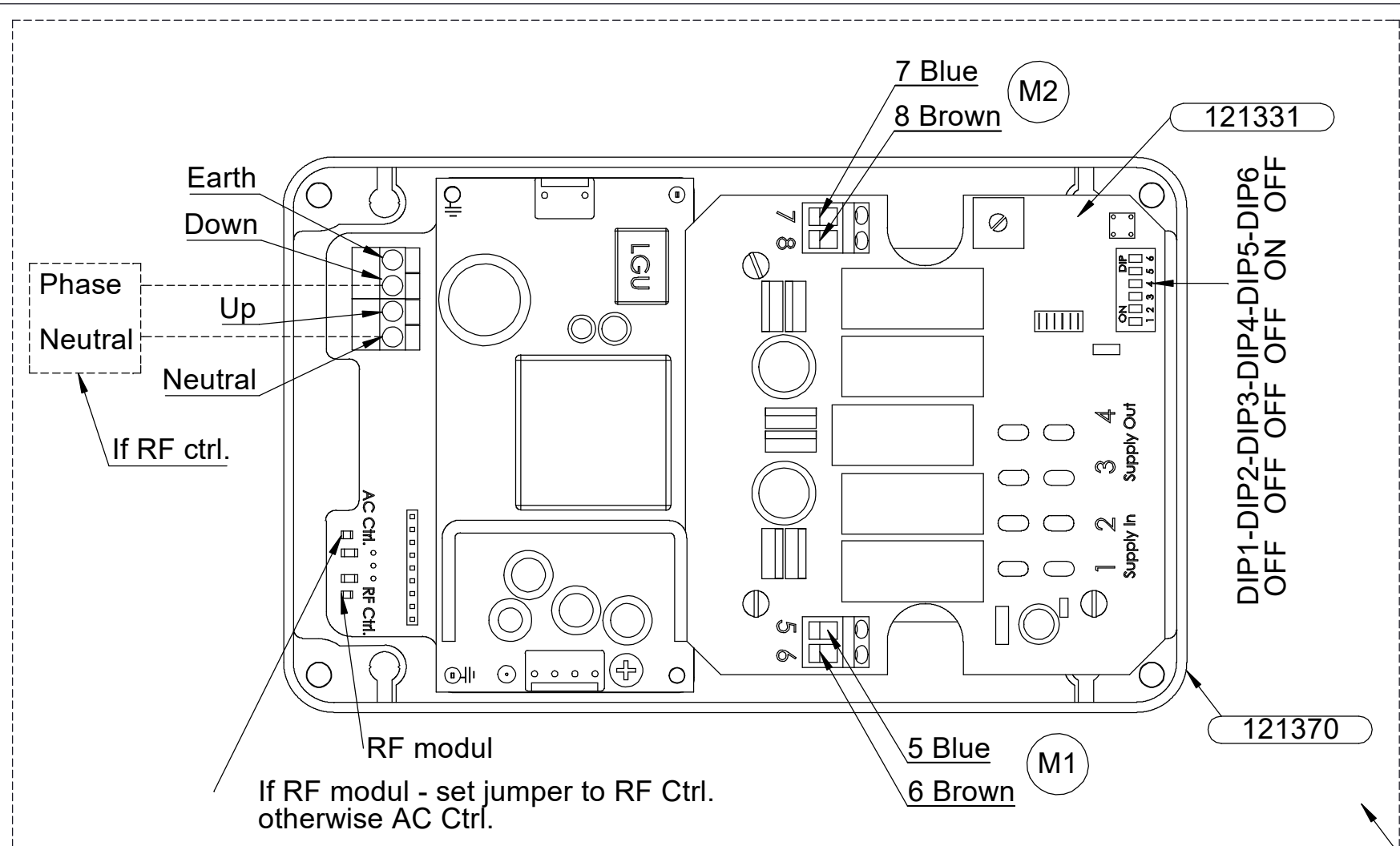


The measure are indicative as the hinge type and frame depth is decisive



Actulux A/S
 Haandvaerkevej 2
 DK 9560 Hadsund
 Denmark
 Phone int.: +45 98 57 40 90
 Fax int.: +45 96 15 28 00
 e-mail: info@actulux.com
 www.actulux.com

DRAWN BY: PSP	DATE: 01-09-15	SIZE: A3	SHEET: 1 OF 2	SCALE: 1:20
TITLE: Mounting instruction Roof access		DWG NO.: 154355	REV: I	



**Flex1 ACDC / 230V/24V 3A
#121371**

**LIP6 A044 24V/48V Cur.limit.2x2,5A Ac
#121333**

**LIP6 A044 24V/48V Cur.limit.2x2,5A
low closing value Ac
#CFL31333**

**Flex1 ACDC / 230V/24V 6A
#121391**



Actulux A/S
Haandvaerkervej 2
DK 9560 Hadsund
Denmark
Phone int.: +45 98 57 40 90
Fax int.: +45 96 15 28 00
e-mail: info@actulux.com
www.actulux.com

DRAWN BY: PSP	DATE: 01-09-15	SIZE: A3	SHEET: 2 OF 2	SCALE: 1:20
TITLE: Mounting instruction Roof access		DWG NO.: 154355		REV: I