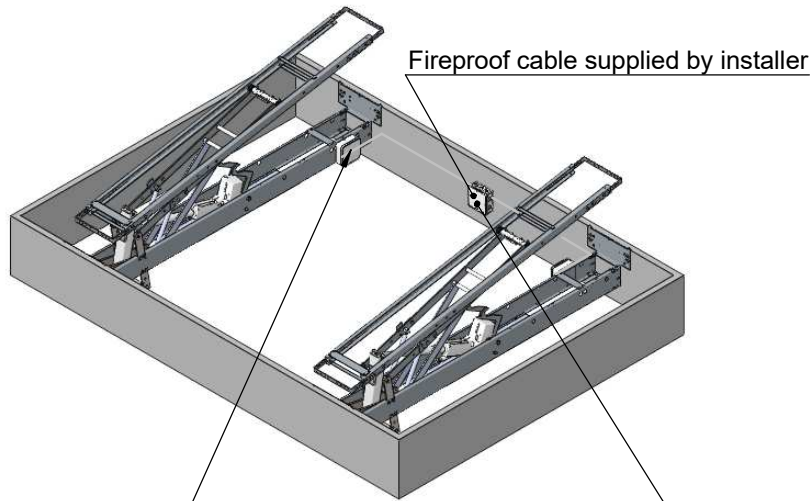


SA Power in Tandem operation - Electrical connection



- "Open" lights when system is opening.
- "On" Steady = Run, Flashing = overcurrent has been detected
- "Sync" Steady: Waiting to synchronized, Flashing: Overload or endswitch more than 3 times in same direction. Low Input voltage less than 18,5 V
- "OC" Low voltage or short circuit on output
- "Puls" flashes in time with the pulses detected at the actuators

SW	Off	ON	Function
1	■	■	See setting on Typelabel placed on opening system
2	■	■	On = 27KOhm for line detection
3	■	■	Off = No line detect
4	■	■	On = Comm. mode set in both systems
5	■	■	Off = Stand Alone mode
6	■	■	Used in case of Dip 7 is set on (Delay between operations of LIP's in tandem)
7	■	■	On = First start at open direction
8	■	■	On = Tandem mode = 2 wire motor
	■	■	Off = Sync mode=3 wire motor
	■	■	On = Delay between Master and Slave
	■	■	Off = No function
	■	■	On = Intelligent load

If OC Synchro

Connect to other LIP7 f. tandem/synchro comm. Max. 5m

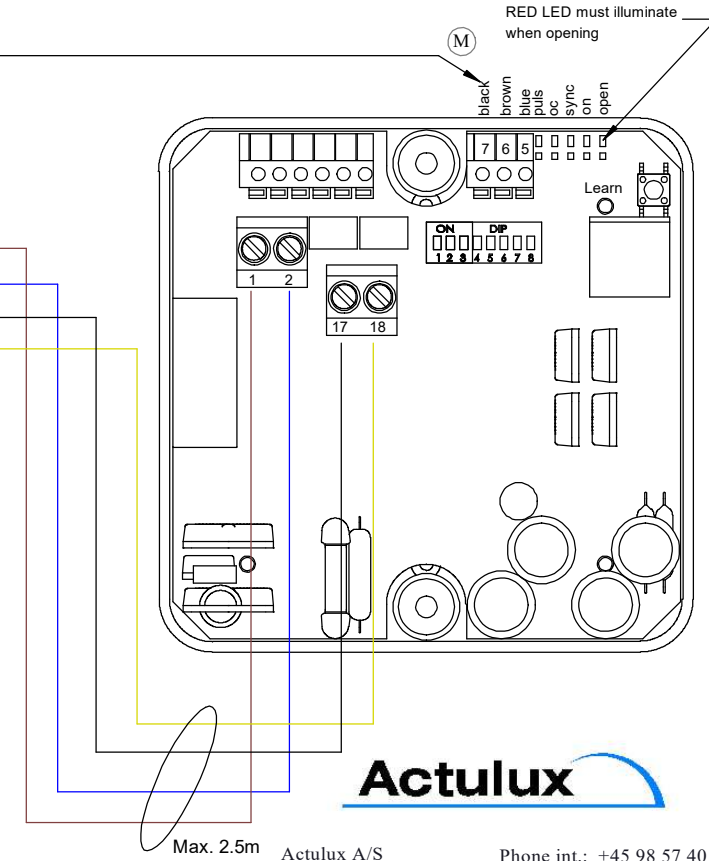
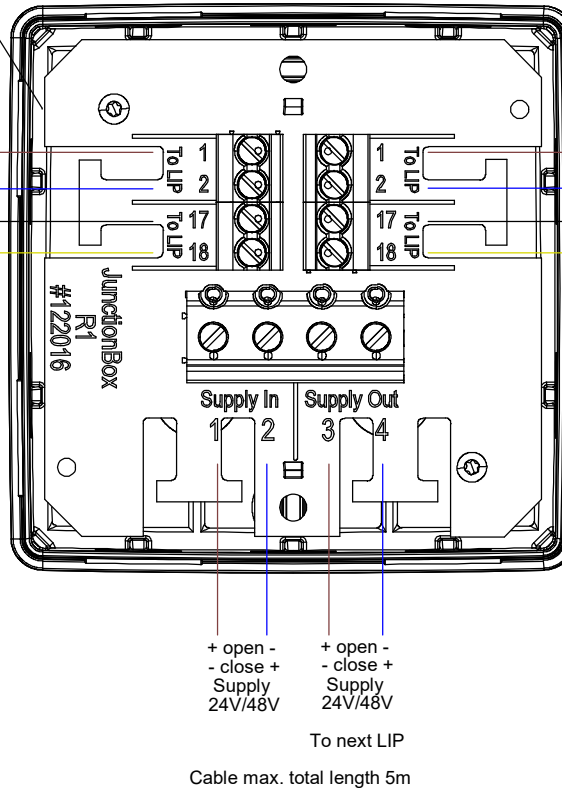
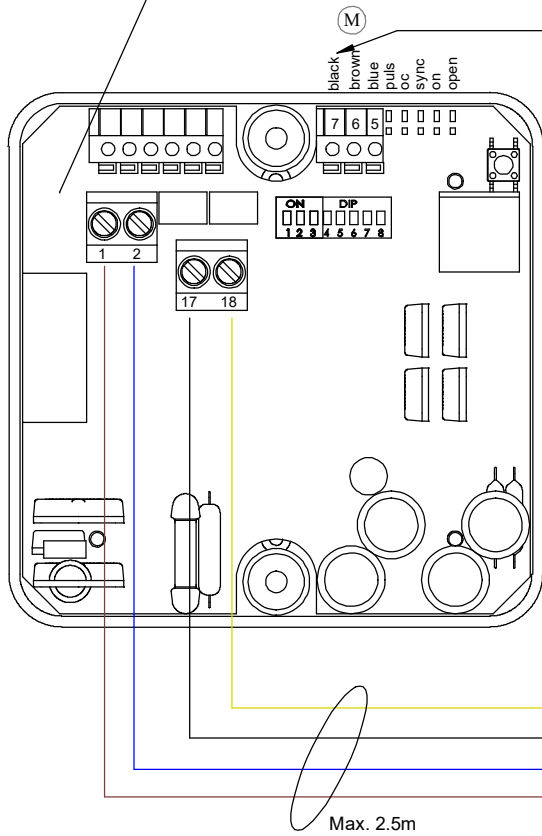
Label 411303

Typelabel on system

LIP 7 Overload Limiter	5 Blue	SA Power Single TA xxxxxxxx
DIP 1 OFF = Motor curr.	6 Brown M	Product no. xxxxxx IP54
DIP 2 ON > 4AXA	7 Black option	24VDC ± 15% Max. 4A
DIP 3 ON = 27 Kohm line det.ON		48VDC ± 15% Max. 2A
In synchro mode See label inside LIP		Connect only through LIP !
1 BROWN		Nur durch LIP anschliessen !
2 BLUE		Tilslut kun gennem LIP !
17 BLACK		PATENT REGISTERED
18 YELLOW		
IN 24V/48VDC		
COM to next LIP		
		Label xxxxxx MP5 xxxxx

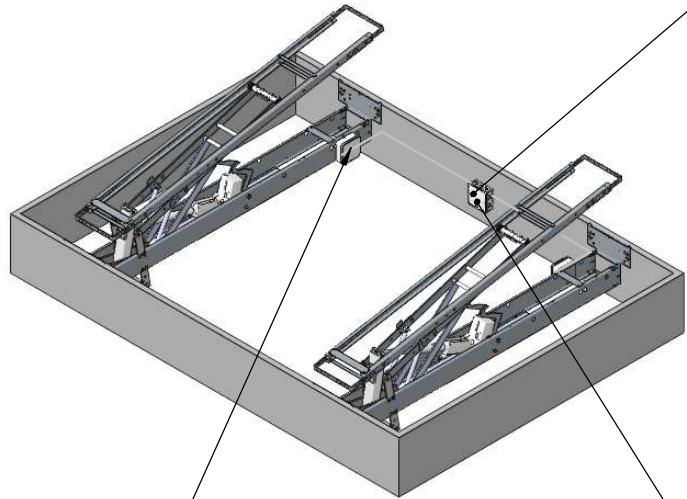
If black motor wire is applied DIP 6= OFF equal synchrocontrol

RED LED must illuminate when opening



154342

Câble ignifuge et boîte de jonction fournis par l'installateur



Raccordement de 2 traverses en tandem

- "Open" lights when system is opening.
- "On" Steady = Run, Flashing = overcurrent has been detected
- "Sync" Steady: Waiting to synchronized, Flashing: Overload or endswitch more than 3 times in same direction. Low Input voltage less than 18,5 V
- "OC" Low voltage or short circuit on output
- "Puls" flashes in time with the pulses detected at the actuators

SW	Off	ON	Function
1	■	■	See setting on Typelabel placed on opening system
2	■	■	On = 27KOhm for line detection
3	■	■	Off = No line detect
4	■	■	On = Comm. mode set in both systems
5	■	■	Off = Stand Alone mode
6	■	■	Used in case of Dip 7 is set on (Delay between operations of LIP's in tandem)
7	■	■	Off = First start at open direction
8	■	■	On = First start on close direction
	■	■	Off = Sync mode=3 wire motor
	■	■	On = Tandem mode = 2 wire motor
	■	■	Off = No delay
	■	■	On = Delay between Master and Slave
	■	■	Off = No function
	■	■	On = Intelligent load

If OC Syncro

Connect to other LIP7 f. tandem/syncro comm. Max. 5m

Label 411303

Etiquette type SA Power Single

LIP 7 Overload Limiter

DIP 1 OFF = Motor curr
DIP 2 ON > 4A2A
DIP 3 ON = 27 Kohm line det ON

In syncro mode See label inside LIP

1 BROWN
2 BLUE
3 BLACK
4 YELLOW

5 Blue
6 Brown
7 Black option

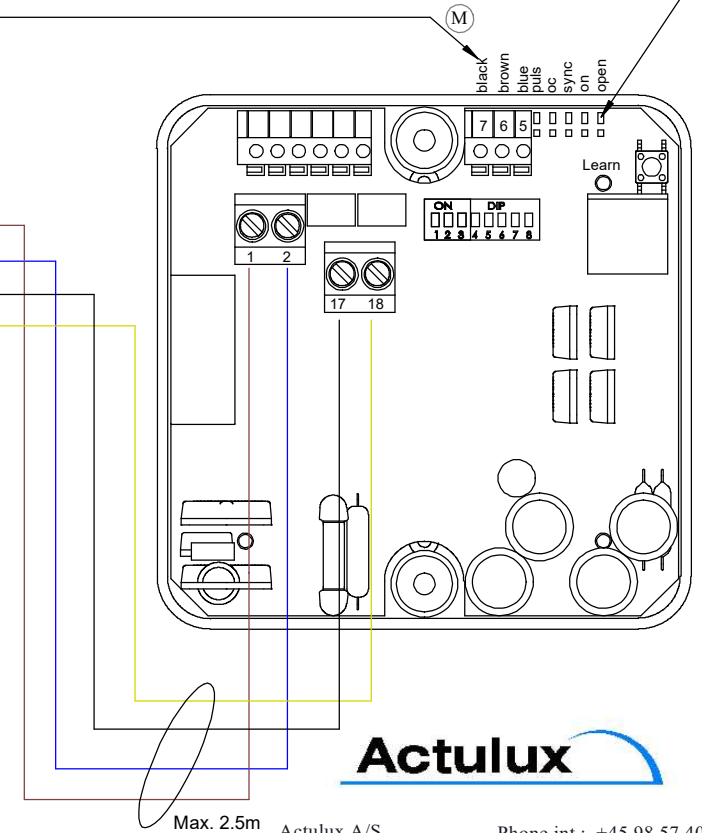
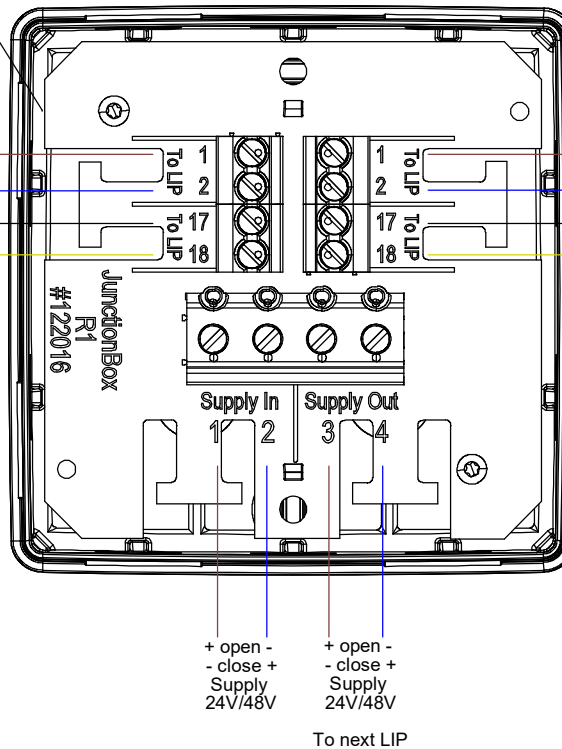
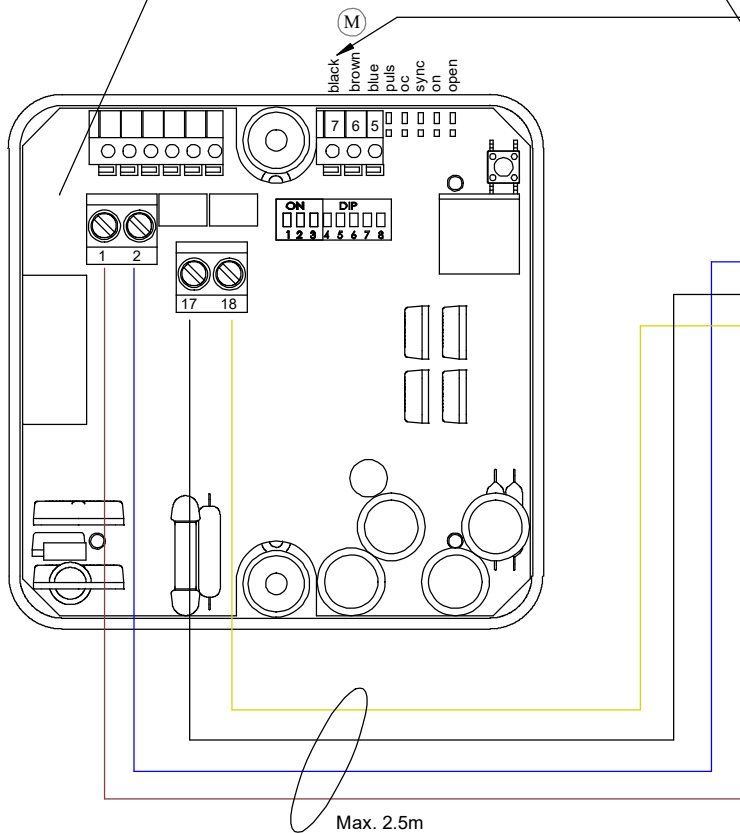
SA Power Single TA xxxxxxcm
Product no. xxxxxx IP54
24VDC ± 15% Max. 4A
48VDC ± 15% Max. 2A
Connect only through LIP !
Nur durch LIP anschliessen !
Tilslut kun gennem LIP !
PATENT REGISTERED

CE

IN 24/48VDC
COM to next LIP
Label xxxxxx MPS xxxxx

Si le câble de communication noir est utilisé , alors basculer le DIP 6 sur OFF = Mode Syn chro

LED rouge allumé en mode ouverture



154342

Actulux

Actulux A/S
2. Haandvaerkervej
DK 9560 Hadsund
Denmark

Phone int.: +45 98 57 40 90
Fax int.: +45 96 15 28 00
e-mail: info@actulux.com
www.actulux.com