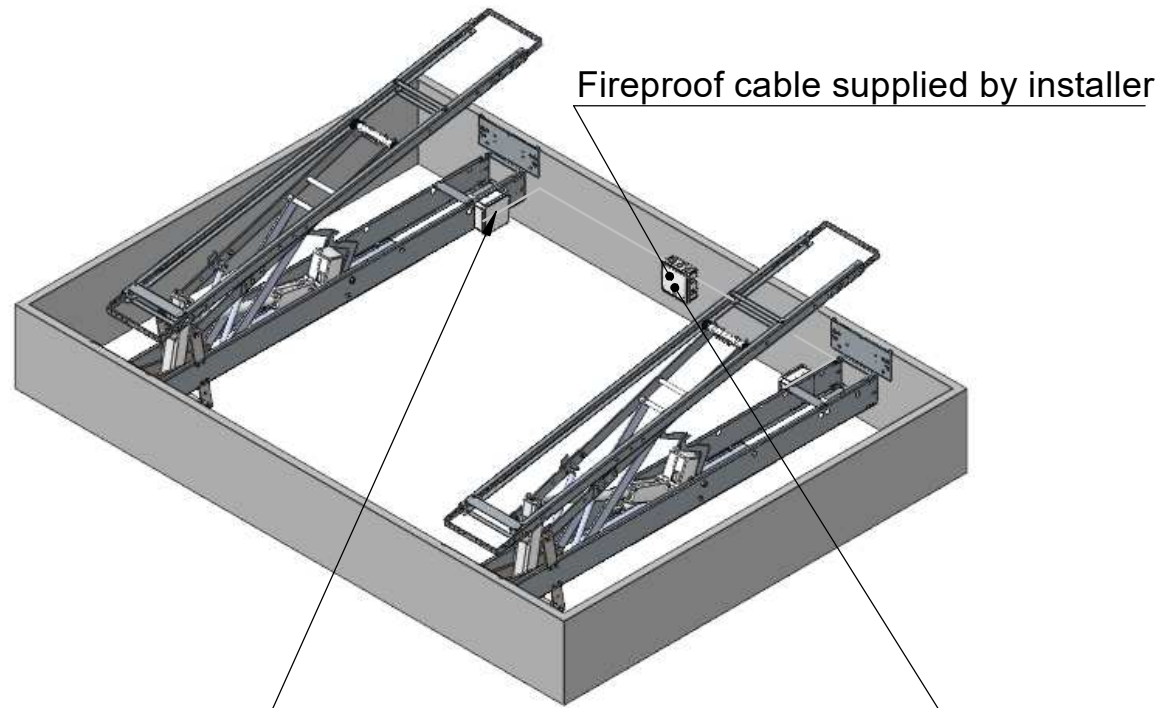


# SA Power in Tandem operation - Electrical connection



- "Open" lights when system is opening.
- "On" Steady = Run, Flashing = overcurrent has been detected
- "Sync" Steady: Waiting to synchronized, Flashing: Overload or endswitch more than 3 times in same direction. Low Input voltage less than 18,5 V
- "OC" Low voltage or short circuit on output
- "Puls" flashes in time with the pulses detected at the actuators

SW	Off	ON	Function
1	■	■	See setting on Typelabel placed on opening system
2	■	■	
3	■	■	Off = No line detect. On = 27KOhm for line detection
4	■	■	Off = Stand Alone mode On = Comm. mode set in both systems
Used in case of Dip 7 is set on (Delay between operations of LIP's in tandem)			
5	■	■	Off = First start at open direction On = First start on close direction
6	■	■	Off = Sync mode=3 wire motor On = Tandem mode = 2 wire motor
7	■	■	Off = No delay On = Delay between Master and Slave
8	■	■	Off = No function On = Intelligent load

### Typelabel on system

**LIP 7 Overload Limiter**

DIP 1 OFF = Motor curr  
DIP 2 ON > 4A/2A  
DIP 3 ON = 27 Kohm  
line det.ON

In syncro mode  
See label inside LIP

BROWN 1  
BLUE 2  
BLACK 17  
YELLOW 18

IN 24/48VDC  
COM to next LIP

5 Blue  
6 Brown **M**  
7 Black  
option

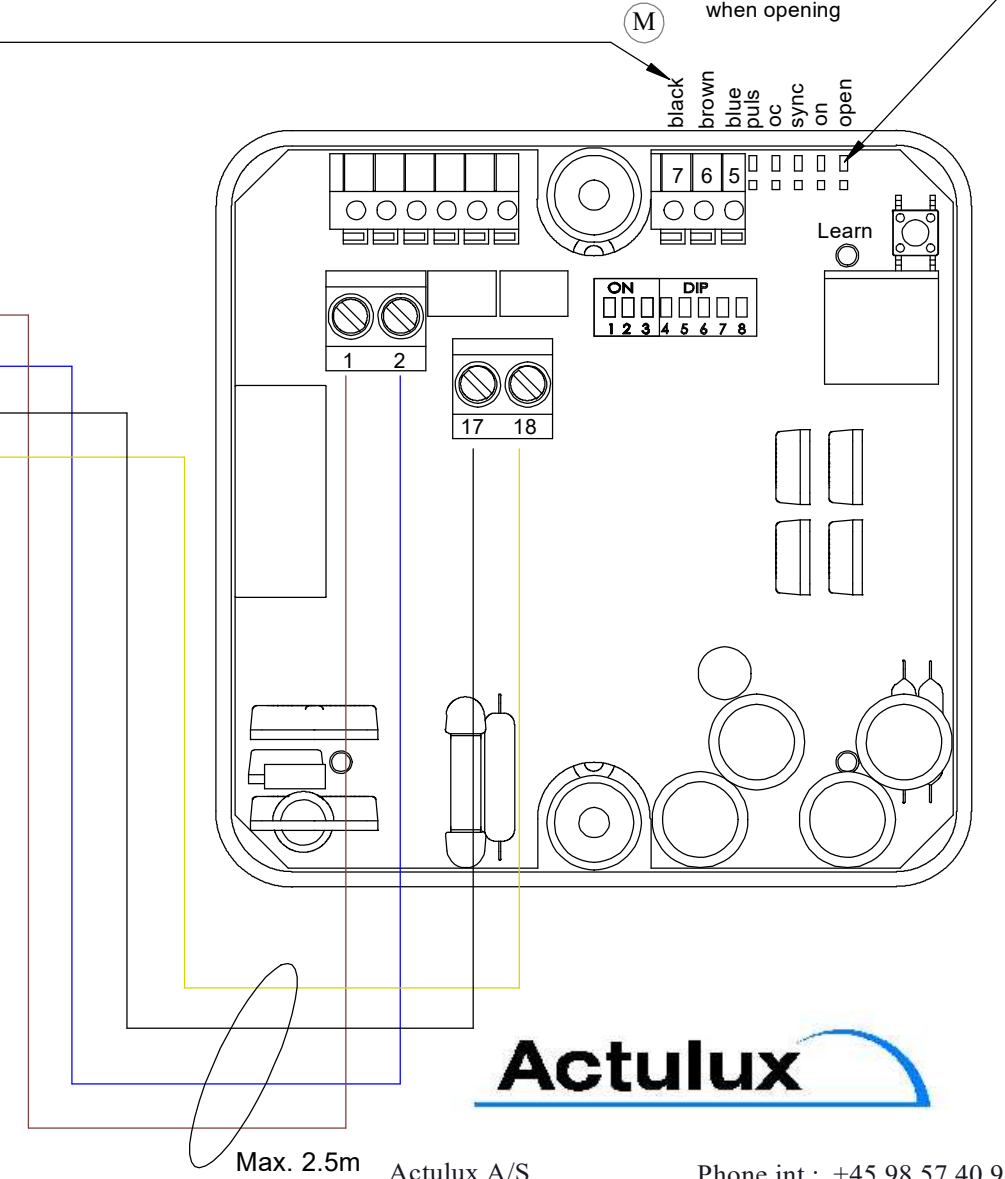
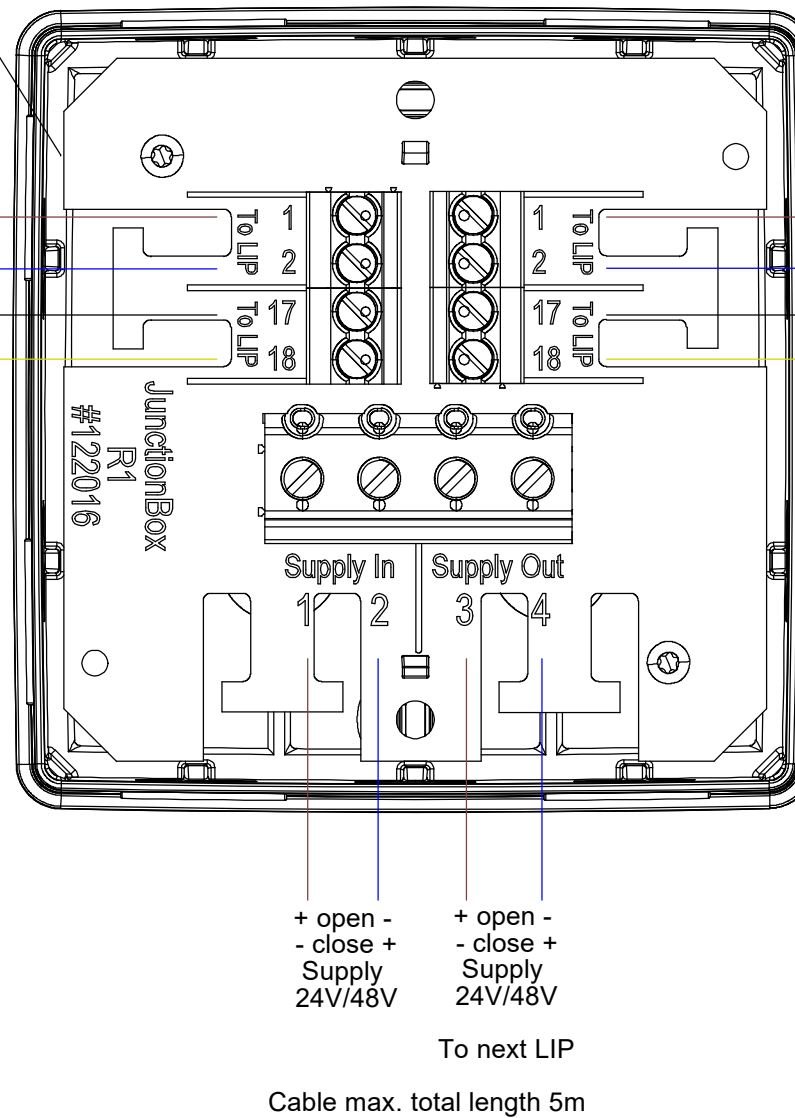
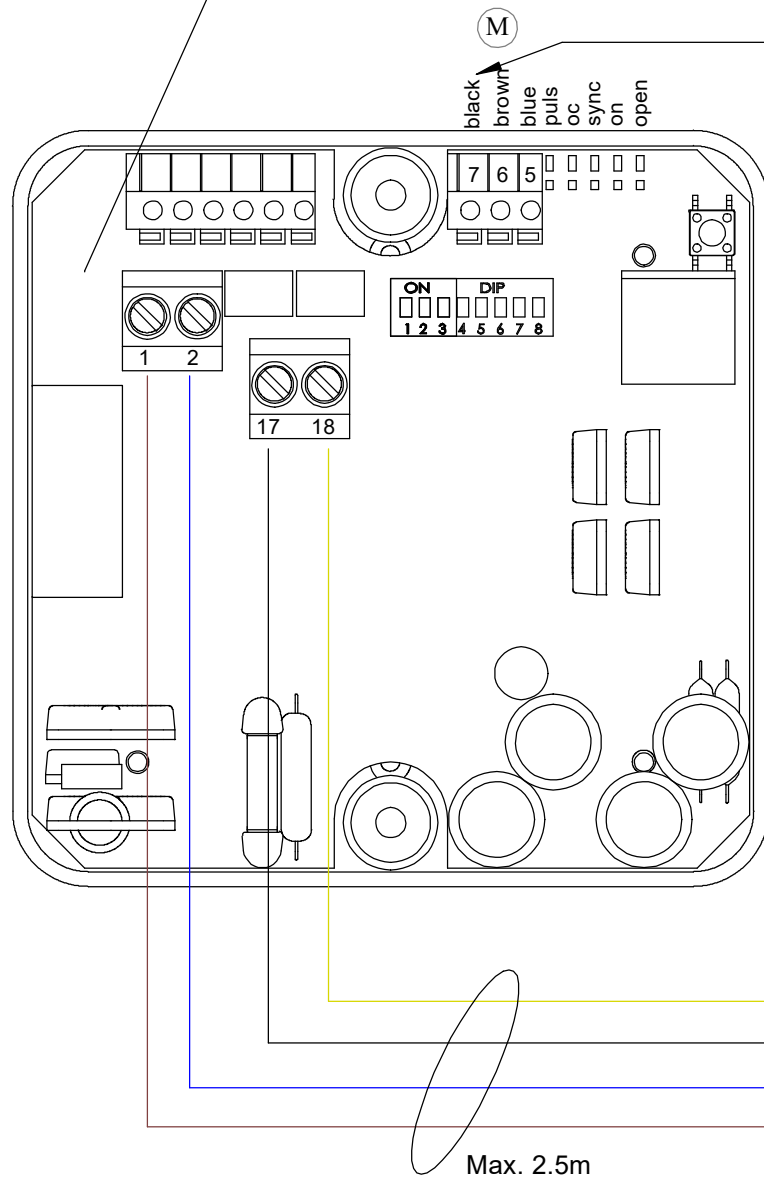
SA Power Single TA xxxxxxcm  
Product no. xxxxxx IP54  
24VDC ± 15% Max. 4A  
48VDC ± 15% Max. 2A  
Connect only through LIP !  
Nur durch LIP anschliessen !  
Tilslut kun gennem LIP !  
PATENT REGISTERED

Label xxxxxx MPS xxxxxx

CE

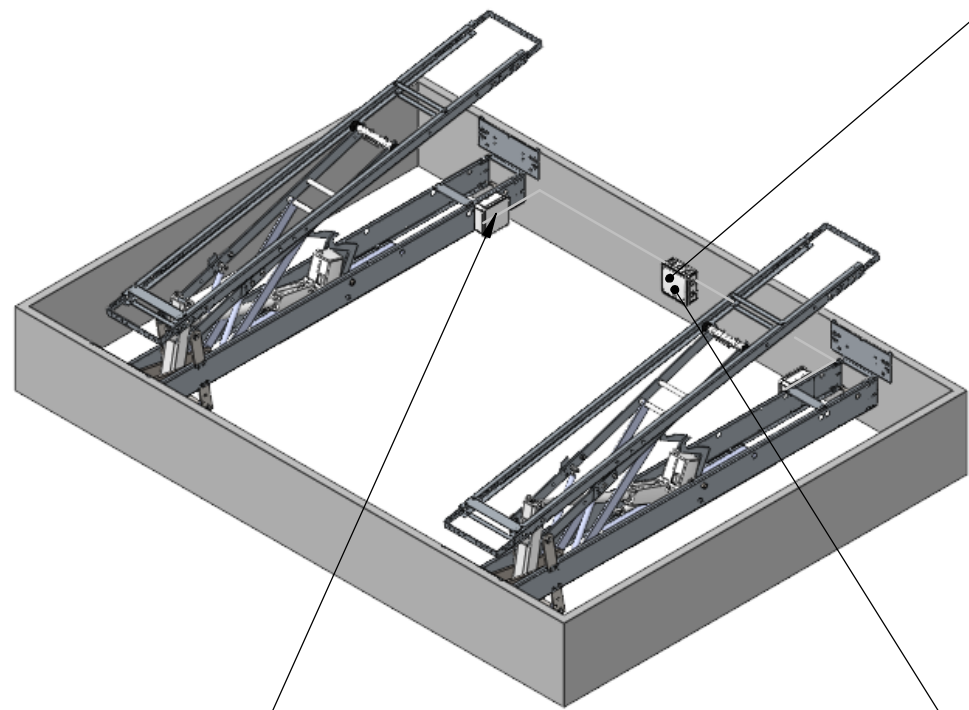
If black motor wire is applicated DIP 6= OFF equal syncrocontrol

RED LED must illuminate when opening



154342

Câble ignifuge et boîte de jonction fournis par l'installateur



Raccordement de 2 traverses en tandem

- "Open" lights when system is opening.
- "On" Steady = Run, Flashing = overcurrent has been detected
- "Sync" Steady: Waiting to synchronized, Flashing: Overload or endswitch more than 3 times in same direction. Low Input voltage less than 18,5 V
- "OC" Low voltage or short circuit on output
- "Puls" flashes in time with the pulses detected at the actuators

SW	Off	ON	Function
1	■	■	See setting on Typelabel placed on opening system
2	■	■	
3	■	■	Off = No line detect. On = 27KOhm for line detection
4	■	■	Off = Stand Alone mode On = Comm. mode set in both systems
5	■	■	Used in case of Dip 7 is set on (Delay between operations of LIP's in tandem) Off = First start at open direction On = First start on close direction
6	■	■	Off = Sync mode=3 wire motor On = Tandem mode = 2 wire motor
7	■	■	Off = No delay On = Delay between Master and Slave
8	■	■	Off = No function On = Intelligent load

If OC Syncro

Connect to other LIP7 f. tandem/syncro comm. Max. 5m

Label 411303

Etiquette type SA Power Single

LIP 7 Overload Limiter  
 DIP 1 OFF = Motor curr.  
 DIP 2 ON > 4A/2A  
 DIP 3 ON = 27Ω line det.ON  
 In syncro mode  
 See label inside LIP

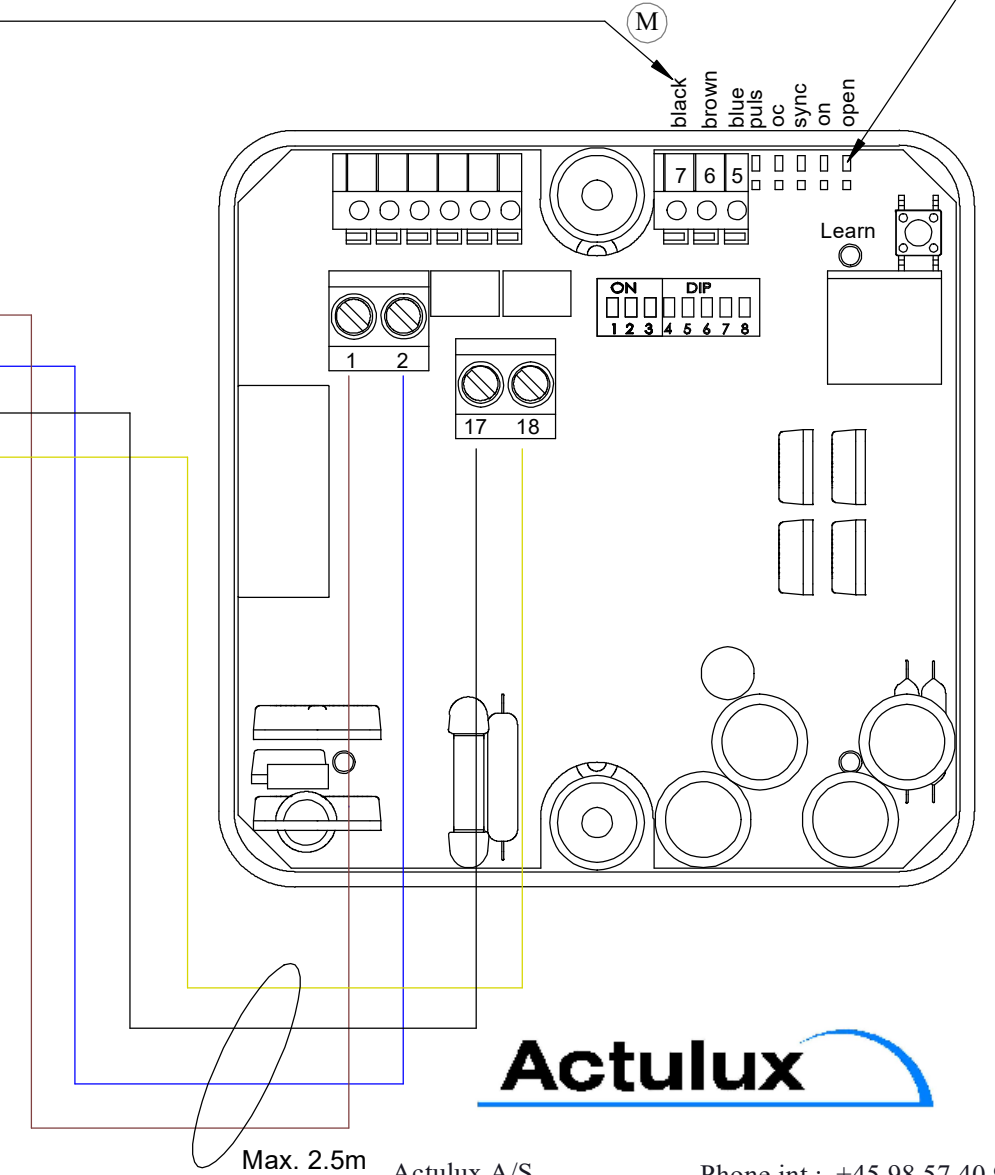
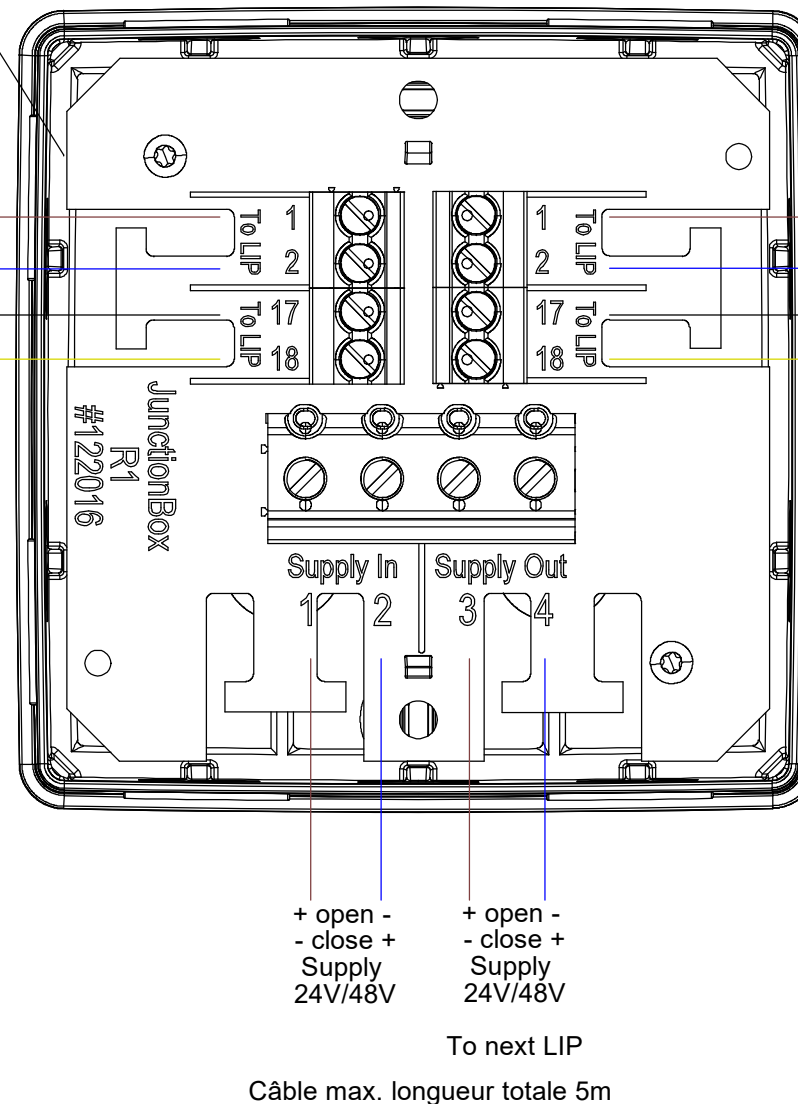
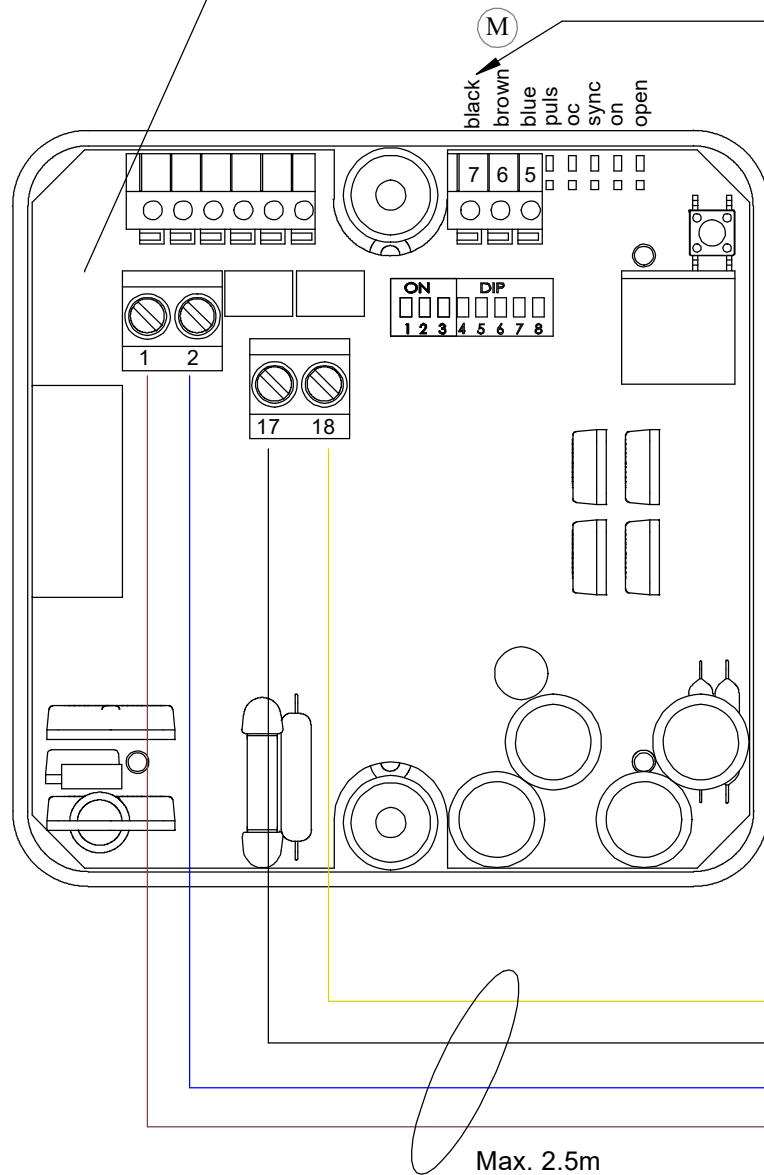
5 Blue  
 6 Brown  
 7 Black option

Type: SA Power Single TA IP54  
 Largeur Traverse: xxxcm  
 Référence ACTULUX: xxxxxx  
 Référence SKYDOME:  
 Tension: 24VDC ± 15% Ampérage: Max. 4A  
 Angle D'ouverture: xxx°  
 Connectez-vous uniquement via LIP!  
 ¡Conéctate solo a través de LIP!  
 Connect only through LIP!  
 Nur durch LIP anschliessen!  
 PATENT REGISTERED

IN 24/48VDC  
 COM to next LIP  
 Label xxxxxx N° de Lot: MPS

CE

Si le câble de communication noir est utilisé , alors basculer le DIP 6 sur OFF = Mode Syn chro



154342