

HCV CHAIN DRIVE

DATA SHEET
#211494

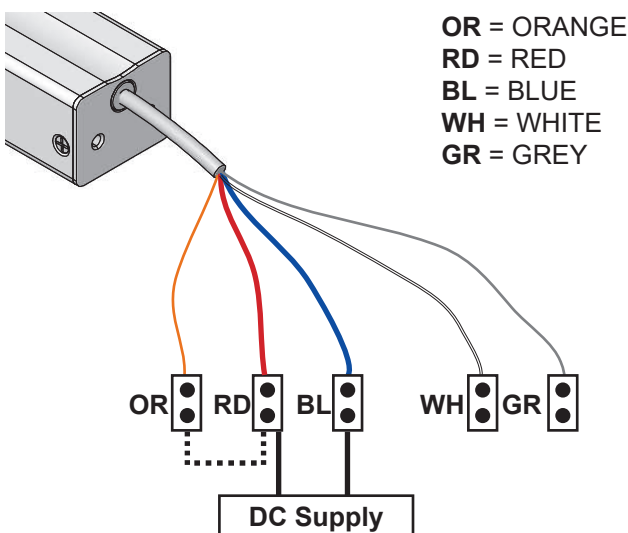
Electrical window opener for Roof and Facade.
Model: **HCV**

ELECTRICAL CONNECTION

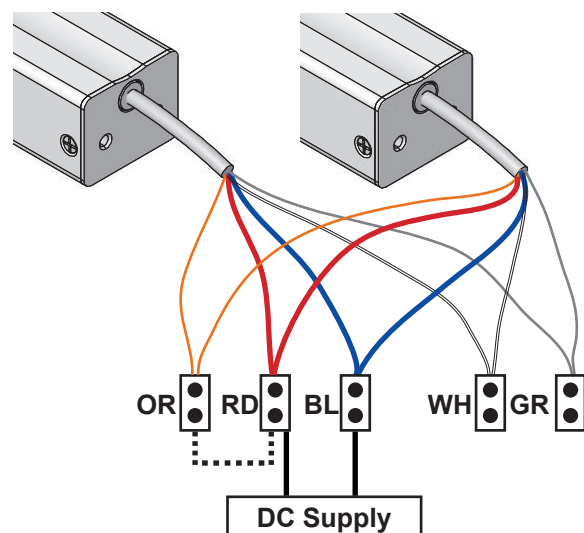


- Operating voltage 24/36/48VDC $\pm 15\%$, max Ripple: 2 volt PP.
- Don't connect directly to grid!
- Connection must be carried out by authorized electricians!
- Ensure that people keep away from the operation area of the drives. Danger of violent pressure, in accessible area!
- Use only in dry environments!
- Rain sensor is recommendable when comfort opening is available.
- The installer or the project responsible is obliged to make risk analysis.

Connection of 1 (one) drive 24/36/48V



Synchro mode for 2-3 or 4 drives 24/36/48V



SUPPLY

RED+ and BLUE

Direction	↑	↓
RED	+	-
BLUE	-	+

ORANGE

When the drive is used for Fire ventilation (opening 60 sec.), then Orange wire must be connected to + (RED) via alarm relay in the Control Panel.



WHITE and GREY

White and Grey wires are used for communication and must be connected in use for Synchro of 2-3 or 4 drives.

Synchro-mode requires programming by Actulux or by use of PMD-Tool.



Disposal

Electrical equipment, accessories and packaging should be recycled for environment protection!

Don't dispose electrical equipment into household waste!

Only for EU-Countries: According to the European guideline 2002/96/EG about waste electrical and electronic equipment and its implementation into national law, useless electrical and electronic equipment must be separately collected and recycled for environment protection.

HCV CHAIN DRIVE

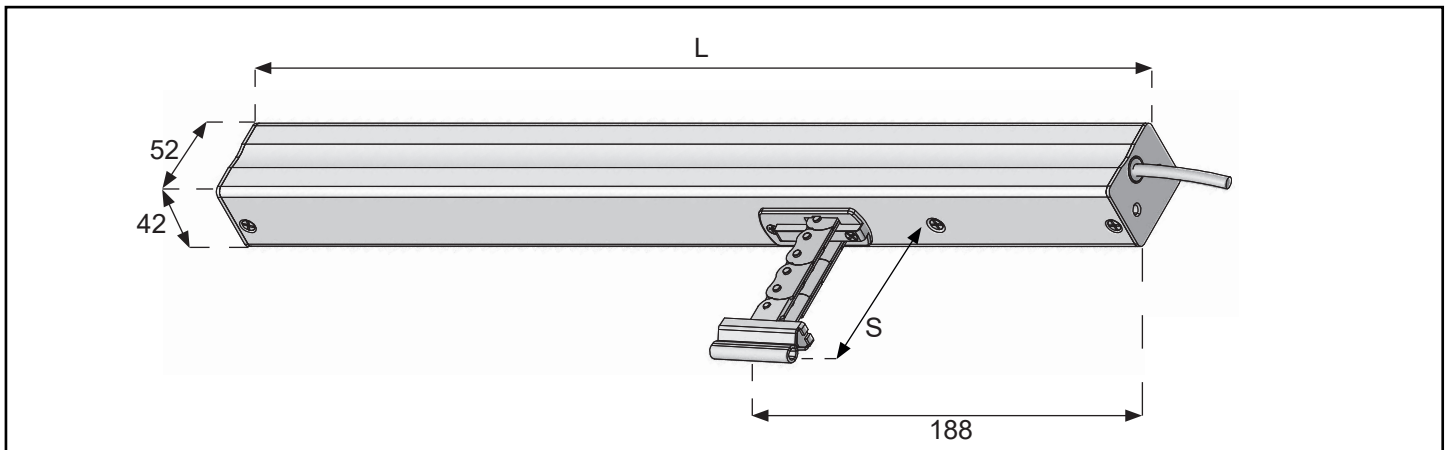
DATA SHEET
#211494

Electrical window opener for Roof and Facade.
Model: **HCV**

TECHNICAL DATA

Power supply	24/36/48 VDC ± 15 %	2 speed levels	Comfort (silent) / FIRE < 60 sec.
Consumption	1.4A/1.05A/0.7A	Soft Close	Reduced closing force 50mm/200N
Locking force	2500N	Standard colour	White (RAL 9010)
Lifecycle	>11,000 double strokes	Cable length	2.5 m Silicone cable
Duty cycle	30% v. 10 min. running time	Linemonitoring	27kΩ Built-in
Protective class	IP32		
Temperature range	-25°C ~ +75°C		

Designed in accordance with EN 12101-2 and EN 50130-4.



Item no.	Model	Power supply	Push force	Pull force	Stroke (S)	Speed (comfort)	Speed (fire)	Length (L)
31010100	HCV 500/350	24VDC/1,40A 36VDC/1,05A 48VDC/0,70A	500N	500N	350mm	7mm/s	7mm/s	436mm
31010200	HCV 500/600		500N		600mm	7mm/s	10mm/s	561mm
31010300	HCV 500/800		*		800mm	10mm/s	14mm/s	661mm
31010400	HCV 500/1000		*		1000mm	10mm/s	17mm/s	766mm

*Use only for bottom and side hung window (If other uses are considered, contact your supplier)



PMD Tool



Accessories



Control Panels



DOC