

## HCVA CHAIN DRIVE

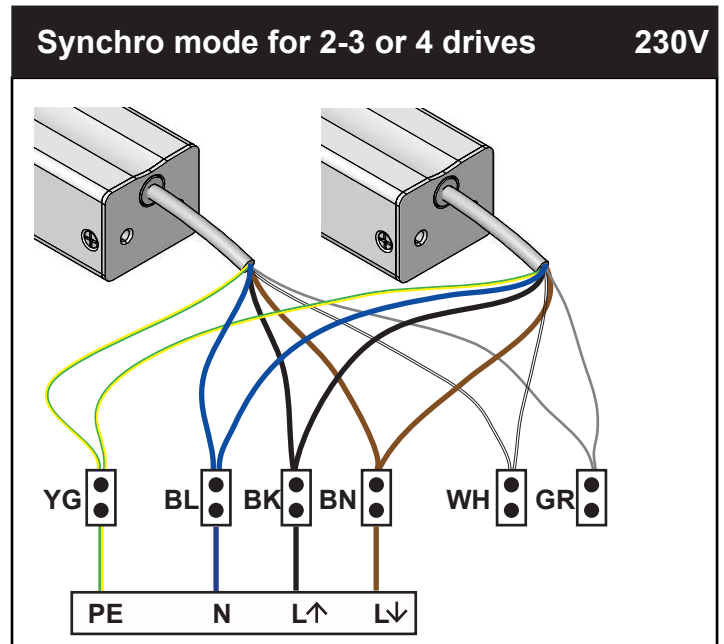
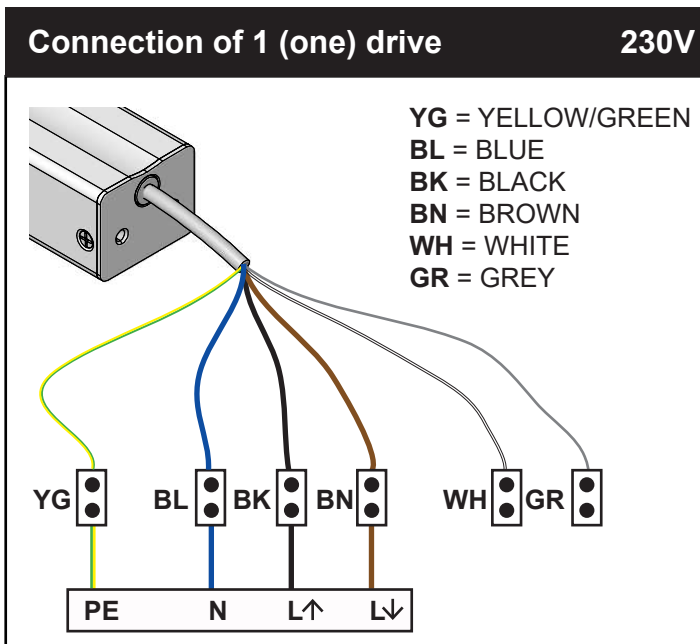
DATA SHEET  
#211488

Electrical window opener for Roof and Facade  
Model: **HCVA**

### ELECTRICAL CONNECTION



- Operating voltage **230V**
- **Must be connected to protective earth (PE)**
- Connection must be carried out by authorized electricians!
- Ensure that people keep away from the operation area of the drives. Danger of violent pressure in accessible area!
- Use only in dry environments!
- Rain sensor is recommendable when comfort opening is available.
- The installer or the project responsible is obliged to make risk analysis.



### SUPPLY

BLACK and BROWN (L)

Direction	↑	↓
Colour	BLACK	BROWN

YELLOW / GREEN

PE

BLUE

N

WHITE and GREY

*White and Grey wires are used for communication and must be connected in use for Synchro of 2-3 or 4 drives.*

*Synchro-mode requires programming by Actulux or by PMD-Tool.*



#### Disposal

Electrical equipment, accessories and packaging should be recycled for environment protection!

Don't dispose electrical equipment into household waste!

Only for EU-Countries: According to the European guideline 2002/96/EG about waste electrical and electronic equipment and its implementation into national law, useless electrical and electronic equipment must be separately collected and recycled for environment protection.

## HCVA CHAIN DRIVE

DATA SHEET  
#211488

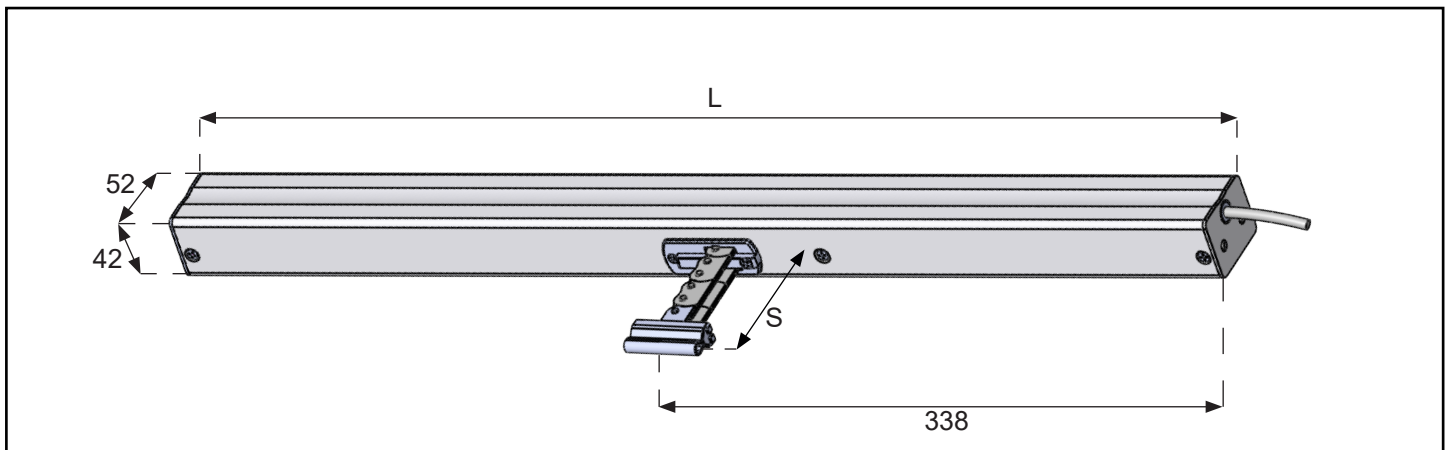
Electrical window opener for Roof and Facade  
Model: **HCVA**

### TECHNICAL DATA

Power supply	190-250VAC/50 HZ Max 13A
Consumption	0,5 A/230VAC
Locking force	2500N
Lifecycle	>11,000 double strokes
Duty cycle	30% v. 10 min. running time
Protective class	IP32
Temperature range	-25°C ~ +75°C

2 speed levels	Comfort (silent) / FIRE < 60 sec.
Soft Close	Reduced closing force 50mm/200N
Standard colour	White (RAL 9010)
Cable length	2.5m Silicone cable

Designed in accordance with EN 12101-2 and EN 50130-4.



Item no.	Model	Power supply	Push force	Pull force	Stroke (S)	Speed (comfort)	Speed (fire)	Length (L)
31020100	HCVA 500/350	230VAC	500N	500N	350mm	7mm/s	7mm/s	586mm
31020200	HCVA 500/600		500N		600mm	7mm/s	**10mm/s	711mm
31020300	HCVA 500/800		*		800mm	10mm/s	**14mm/s	811mm
31020400	HCVA 500/1000		*		1000mm	10mm/s	**17mm/s	916mm

\*Use only for bottom and side hung window (If other uses are considered, contact your supplier)

\*\*FIRE Speed requires programming by Actulux or by use of PMD-Tool



PMD Tool



Accessories



Control Panels



DOC