

## HCVAR CHAIN DRIVE

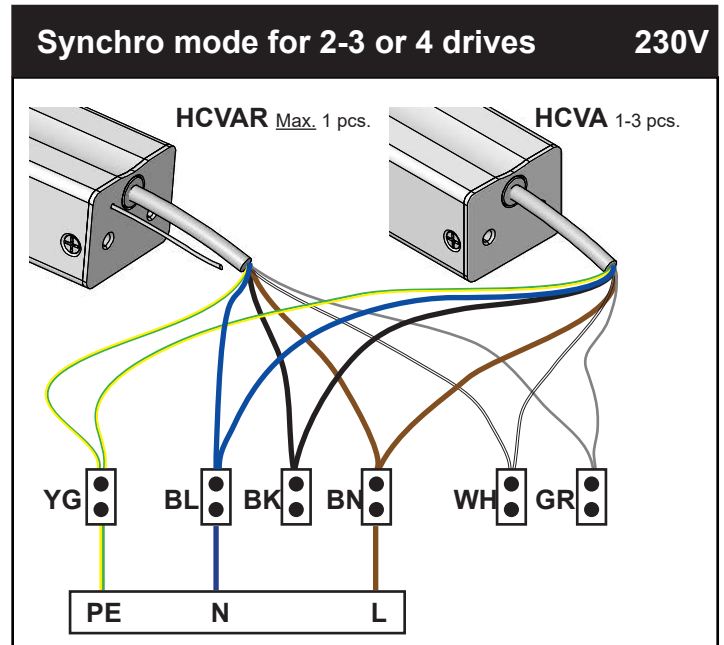
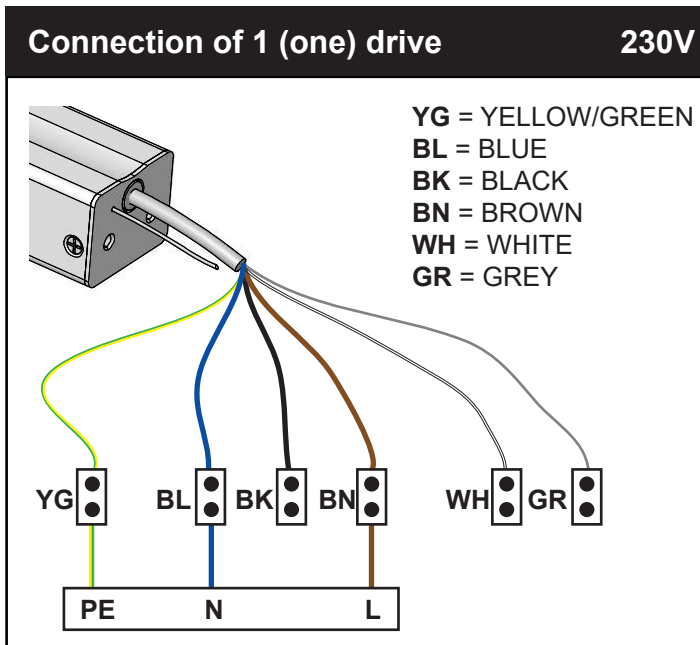
DATA SHEET  
#211495

Electrical window opener for Roof and Facade  
Model: **HCVAR**

### ELECTRICAL CONNECTION



- Operating voltage **230V**
- **Must be connected to protective earth (PE)**
- Connection must be carried out by authorized electricians!
- Ensure that people keep away from the operation area of the drives. Danger of violent pressure in accessible area!
- Use only in dry environments!
- Rain sensor is recommended.
- The installer or the project responsible is obliged to make risk analysis.



### SUPPLY

YELLOW / GREEN: PE

BLUE: N

BLACK: Not in use

BROWN: L



WHITE and GREY

White and Grey wires are used for communication and must be connected in use for Synchro mode.

Max. 4 x drives can be synchronized.  
(1 x HCVAR can be synchronized with 1-3 x HCVA, but maximum with 1 x HCVAR each synchro set).

Synchro mode requires programming by Actulux or by PMD-Tool.

**Attention!**

Do NOT connect White and Grey wires to 230V!

Cannot be used with wired comfort switch. Use only OPUS Wireless comfort switch #111900



#### Disposal

Electrical equipment, accessories and packaging should be recycled for environment protection!  
Don't dispose electrical equipment into household waste!

Only for EU-Countries: According to the European guideline 2002/96/EG about waste electrical and electronic equipment and its implementation into national law, useless electrical and electronic equipment must be separately collected and recycled for environment protection.

## HCVAR CHAIN DRIVE

DATA SHEET  
#211495

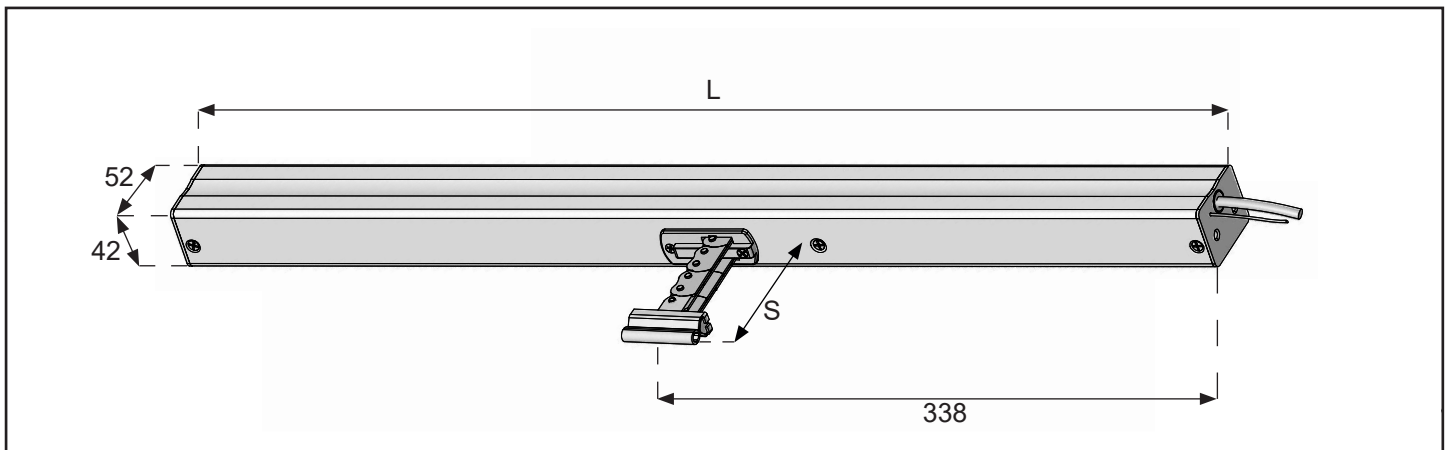
Electrical window opener for Roof and Facade  
Model: **HCVAR**

### TECHNICAL DATA

Power supply	190-250VAC/50 HZ Max 13A
Consumption	0,5 A/230VAC
Locking force	2500N
Lifecycle	>11,000 double strokes
Duty cycle	30% v. 10 min. running time
Protective class	IP32
Temperature range	-25°C ~ +75°C

Soft Close	Reduced closing force 50mm/200N
Standard colour	White (RAL 9010)
Cable length	2.5m Silicone cable

Designed in accordance with EN 50130-4.



Item no	Model	Power supply	Push force	Pull force	Stroke (S)	Speed	Length (L)
31030100	HCVAR 500/350	230VAC	500N	500N	350 mm	7 mm/s	586 mm
31030200	HCVAR 500/600		500N		600 mm	7 mm/s	711 mm
31030300	HCVAR 500/800		*		800 mm	10 mm/s	811 mm
31030400	HCVAR 500/1000		*		1000 mm	10 mm/s	916 mm

\*Use only for bottom and side hung window (If other uses are considered, contact your supplier)



PMD Tool



Accessories



Control Panels



DOC

## HCVAR CHAIN DRIVE

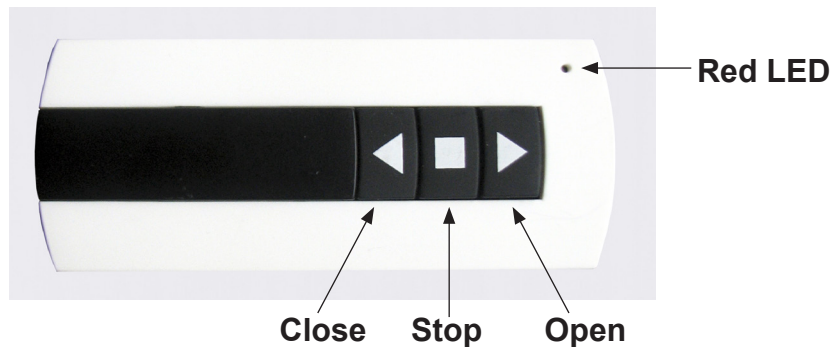
DATA SHEET

Electrical window opener for Roof and Facade  
Model: **HCVAR**

### FUNCTION OF REMOTE CONTROL FOR HCVAR

#### Note!

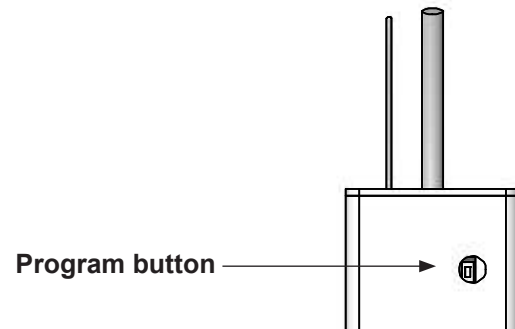
The remote control is operated at a short press per function. Long pressures will cause shorter battery life.



### PAIRING HCVAR WITH REMOTE CONTROL

By default, HCVAR comes with a paired remote control (item no.# 111890).  
One chain drive remember max. 20 pcs. remote controls

To access the “Program button” in the drive,  
remove the plastic cap on the top of the housing.



- 1) Press and hold the “program button” on the chain drive until the LED / Buzzer indicator lights / beeps  
- RELEASE THE BUTTON IMMEDIATELY.
- 2) Within 5 seconds - press any button on the remote control and its LED indicator lights up.
- 3) The LED / Buzzer indicator in the chain drive turns off after one flash / beep = the remote control and chain drive are now paired.

If you need to remove one remote, you have to delete all of them; by pressing the “Program button” for more than 3 seconds until the LED / Buzzer indicator has been switched on and off again. Now all remote controls are deleted and you need to pair all of them again.

### PAIRING HCVAR WITH WIRELESS WEATHER SENSOR

It is possible to connect a weather sensor wireless to the chain drive.

Rain sensor	#111960
Wind- & Rain sensor	#111961
RF-transmitter	#111892



Weather sensor manual