



**Fire Switch BVT for Smoke Ventilation Systems, IP40**  
for Actulux smoke ventilation systems



**Actulux**

# Fire Switch BVT for Smoke Ventilation Systems, IP40

## EASY INSTALLATION AND OPERATION

The fire switch is developed to be used together with the Actulux smoke ventilation system.

## OPERATION INSTRUCTIONS

**During fire:** Break the glass and activate the red button.

During test open the lid and activate the red button.

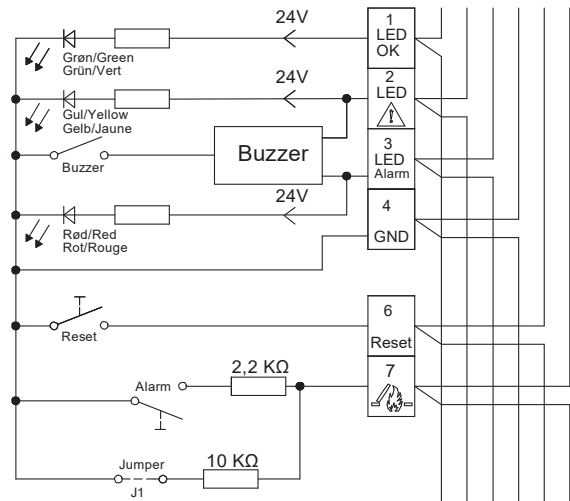
**Closing and alarm reset:** Open the lid - activate the black reset button, alarm is reset and skylights are closed.

## Connection diagram for BVT

### Terminals:

1. green LED OK, lights when closing
2. Yellow LED, lights on error
3. red LED alarm, lights on emergency opening
4. ground (-)
5. -
6. fire switch emergency closing (reset)
7. fire switch emergency opening (fire)

Jumper J1 must only be set in the last or only fire switch



## FEATURES

Function: Alarm (open), reset and off, sound indicator

LED indication: "ok", "error" (yellow), "alarm activated" (red)

Size: 125 mm x 125 mm x 36 mm (W x H x D)

Colour: Grey (can be delivered in orange on request)

IP rating: IP40

Consumption on error: 2.2 mA

Item no.: 111789 (GREY) / 111790 (ORANGE)