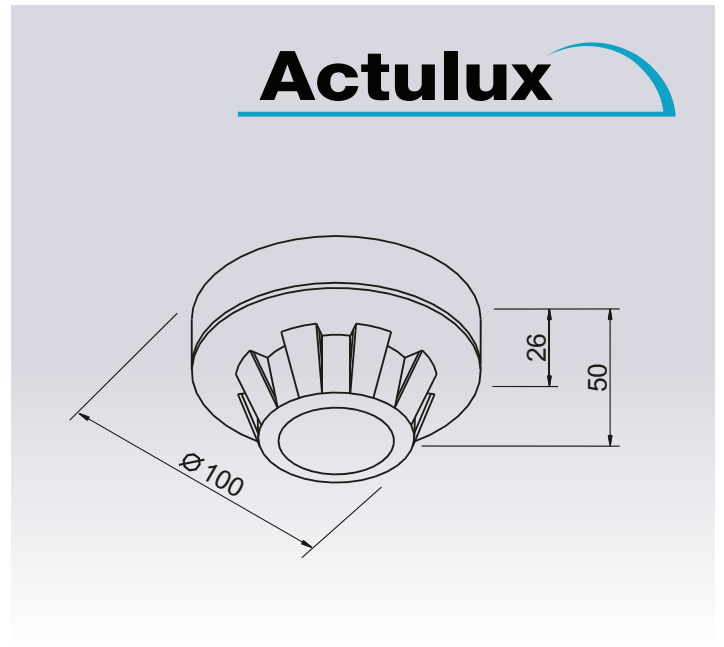




**Smoke Detector**  
detection of fire



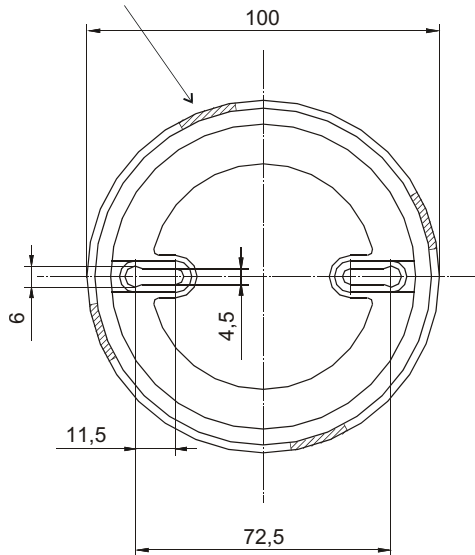
# Smoke Detector

## SMOKE DETECTOR FOR DETECTION OF FIRE

Smoke detector for early fire detection with visual “release” display. The smoke detector is including mounting base and installation must always be horizontally beneath the ceiling. If automatic detectors are used, the end module

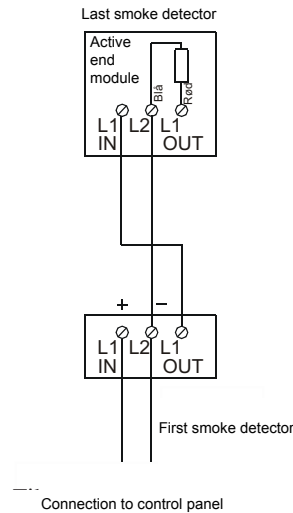
must be dismantled from connection terminal 4 and 5 at WSC 3xx or connection terminal 15 and 16 at WSC 4xx and mounted in the last/only smoke detector. The end module should only be mounted here if smoke detectors are not mounted.

### CABLE OUTLET



Approval no.: G200017

### ELECTRICAL CONNECTION



FEATURES	
Connection voltage:	24V DC
Current consumption (rest):	0.1 mA
Colour:	White
Operating temperature:	-20° to 60° C