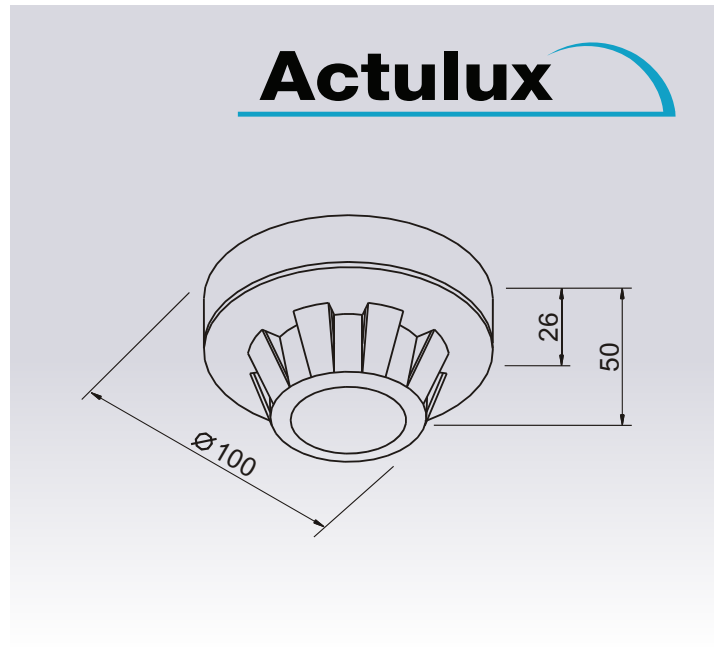




**Thermal Differential Detector**  
detection of fire

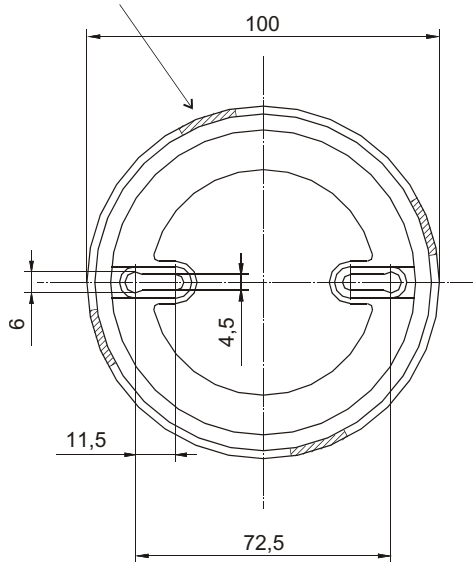


# Thermal Differential Detector

## THERMAL DIFFERENTIAL DETECTOR FOR FIRE DETECTION

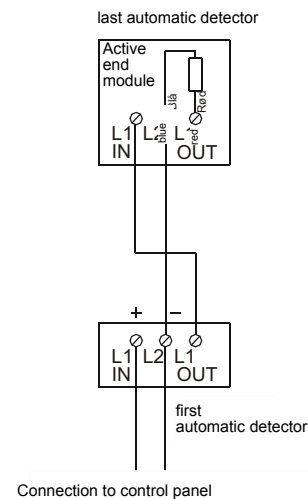
Thermal Differential Detector for early fire detection. Alarm release in case of fast temperature increase. Max. 75° C with visual "release" display, including mounting base.

### CABLE OUTLET



Approval no.: G200017

### ELECTRICAL CONNECTION



FEATURES
Connection voltage: 24V DC
Current consumption (rest): 0.1 mA
Colour: White
Operating temperature: -20° to 90° C