

# Instruction

## Chain drive series HCV

Type: HCVA (230VAC)

Type: HCVAR (230VAC)



**Actulux**

## Table of contents

Safety notes.....	3
Application area.....	3
Stroke-pushing force diagram .....	3
Features.....	4
Technical data.....	4
Dimensions for type <b>HCVA</b> .....	4
Connection for type <b>HCVA</b> in single mode .....	5
Connection for type <b>HCVAR</b> in single mode.....	5
Connection for type <b>HCVA</b> in synchro mode and Wind-/rain sensor.....	6
Connection for type <b>HCVAR</b> in synchro mode .....	7
Mounting instruction .....	8
Choice of brackets.....	8
<b>HMB-HCV-01</b> Outwards opening window, top hung.....	8
<b>HMB-HCV-02</b> Inwards opening window, bottom and side hung.....	9
<b>HMB-HCV-03</b> Skylight.....	10
Function of remote control for <b>HCVAR</b> .....	11
Pairing <b>HCVAR</b> with remote control .....	11
Pairing <b>HCVAR</b> with wireless wind / rain sensor .....	11
Warranty .....	12
Disposal.....	12
Contact .....	12

**Safety Notes**



- **Operating voltage 230VAC!**
- Connection must be carried out by authorized electricians.
- It's necessary to ensure that people keep away from the operation area of the drives. Danger of violent pressure in accessible area!
- Use only in dry rooms.

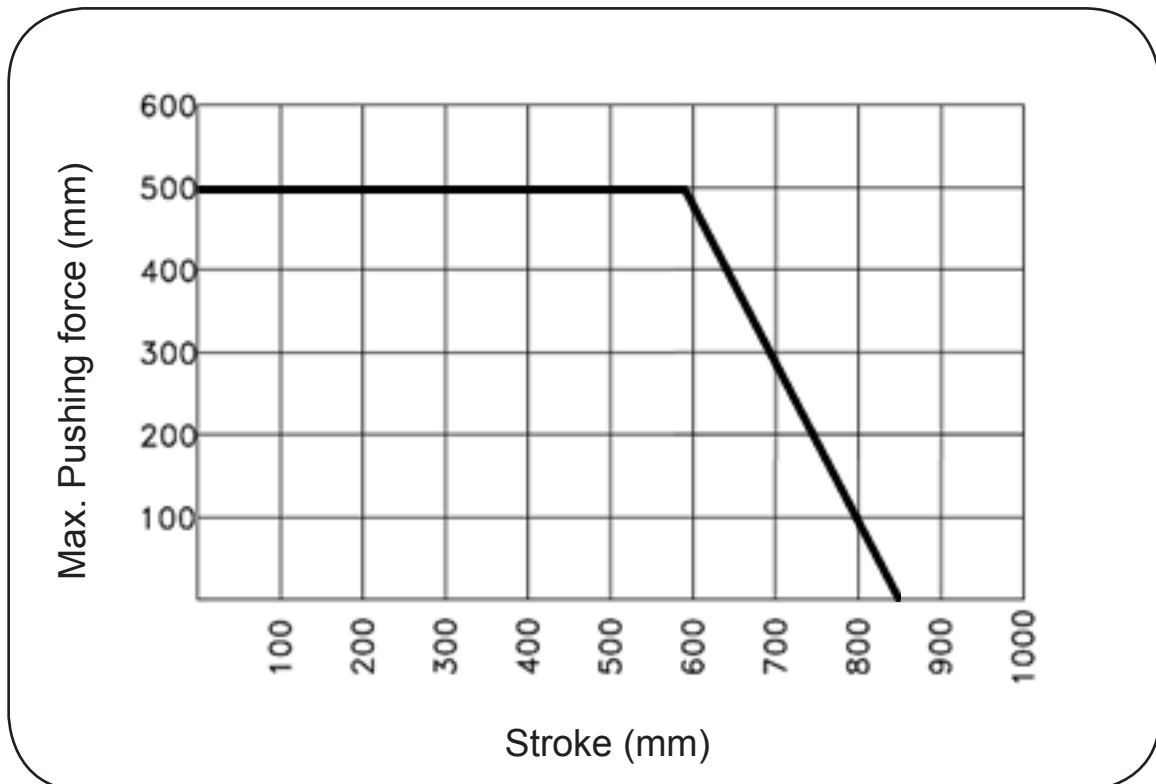
**Application area**

- For opening and closing of facade and roof windows

**Stroke-pushing force diagram**



- **Maximum pressure force of the chain depends on the length, the push force is always the value specified on the drive!**



## Features

- Microprocessor controlled Bus synchronization.
- HCVAR is incl. remote control
- Max. 4 pcs. drives can be synchronized.  
(1 pcs. HCVAR can be synchronized with up to 3 pcs. HCVA, but max. 1 pcs. HCVAR per synchro set)
- Push / Pulling, Opening / Closing Speed and Stroke length can be programmed.
- Electronic overload protection.
- Reduced speed and force during the last 50 mm of closing ("Soft-close").
- Drive is supplied with 2.5 m silicone cable.
- Different types of brackets can be mounted, depending on the window and kind of mounting.
- Tested in accordance with EN 12101-2, EN 50130-4.

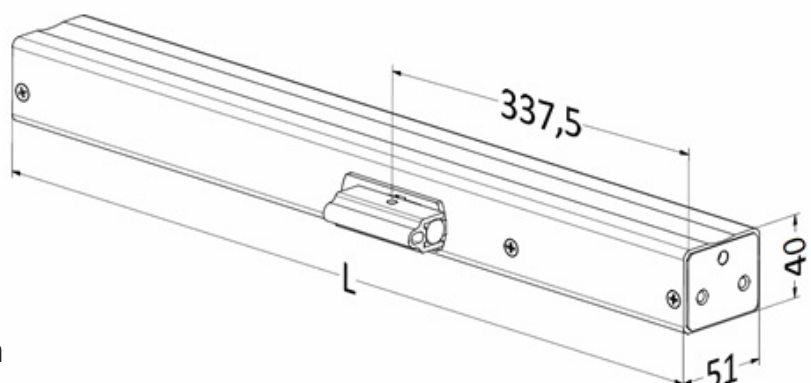
## Technical data

Type	Voltage / Current	Pushing force	Pulling force	Stroke length	Speed Natural comfort
HCVA/R 500/350	230VAC/25W	500N	500N	350 mm	7 mm/s
HCVA/R 500/600	230VAC/30W	500N	500N	600 mm	7 mm/s
HCVA/R 500/800	230VAC/30W	500N	500N	800 mm	10 mm/s
HCVA/R 500/1000	230VAC/30W	500N	500N	1000 mm	10 mm/s

- Power supply: 190-250 VAC / 50 Hz Max 10A
- Consumption: 0.5A/230 VAC
- Inrush current: 45A/230 VAC
- Leakage current: <0,25mA / 240 VAC
- Speed open/close: 7 mm/s
- Soft close speed: 5 mm/s
- Soft close distance: 50 mm
- Soft close force: 200 N
- Protective class: IP32
- Temperature range: -5°C ~ +55°C
- Locking force: 2000 N
- Lifecycle: >11000 double strokes
- Duty cycle: 30% at 10 min. running time

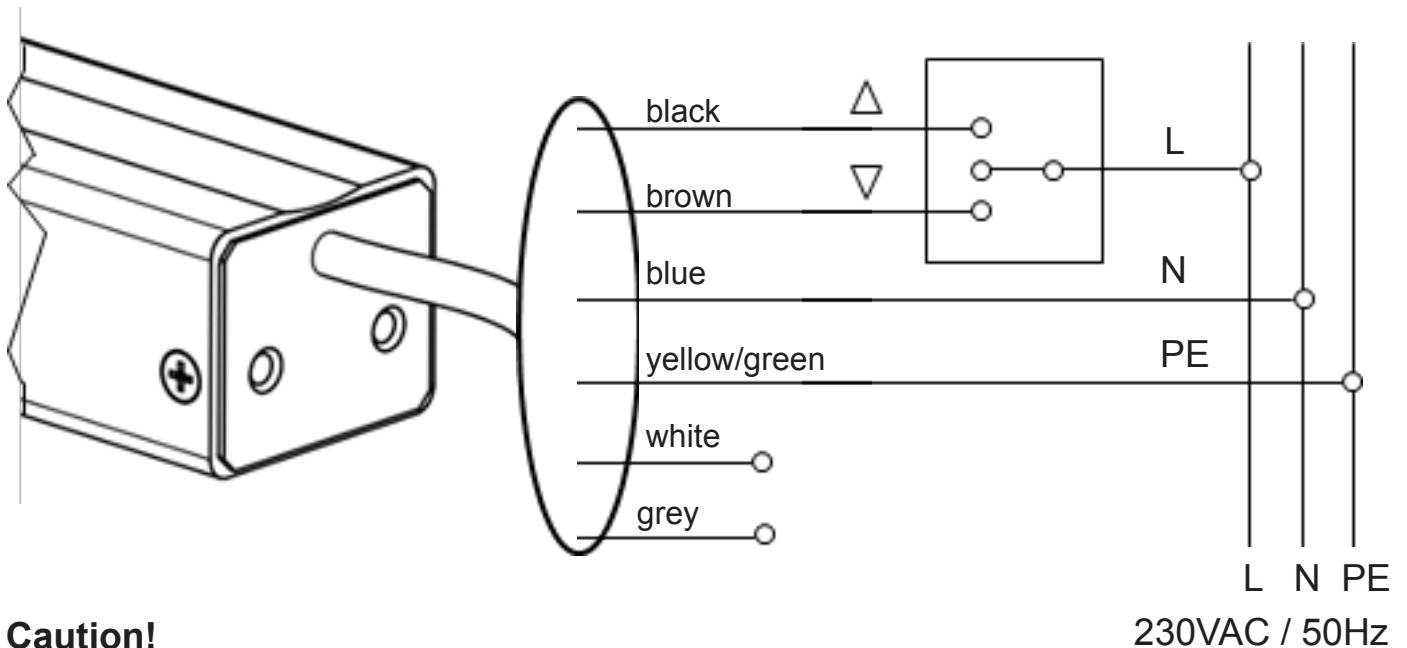
## Dimensions for type HCVA

Stroke	Lenght L
350 mm	586 mm
600 mm	711 mm
800 mm	811 mm
1000 mm	916 mm



Length of antenna (HCVAR) 35 mm

Connection for type **HCVA** in single mode



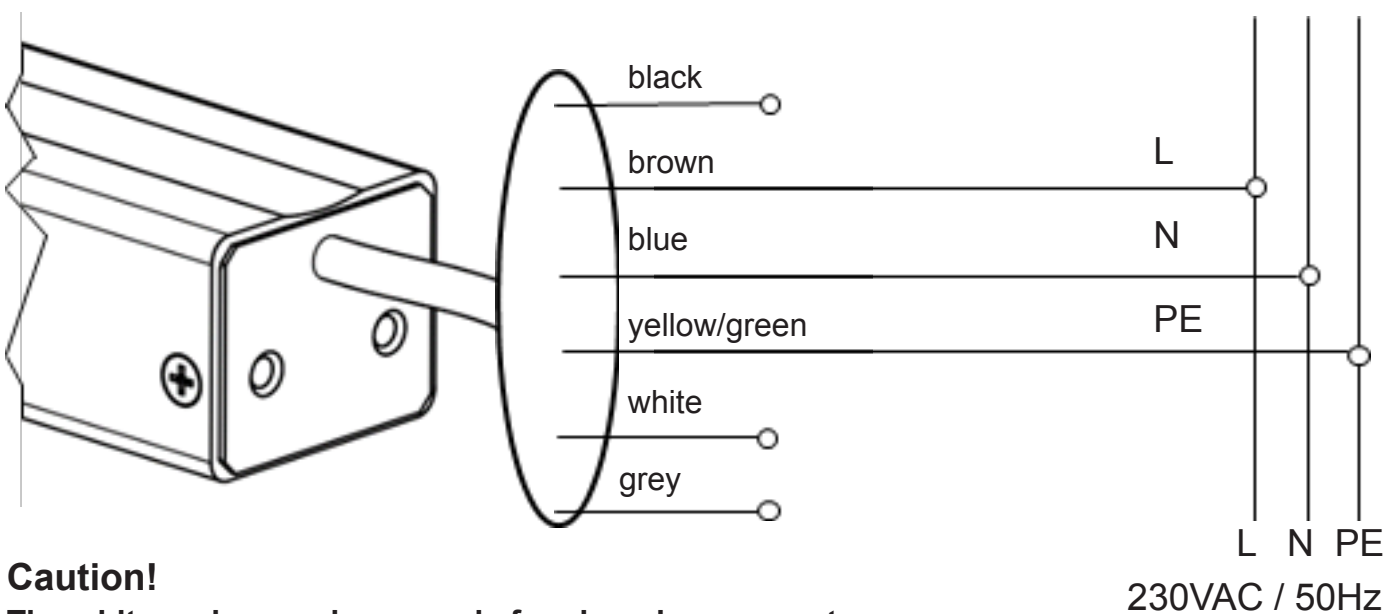
**Caution!**

The white and grey wire are only for changing parameters.

Parameter change can only be made by Actulux or an authorized service and sales partner by Actulux.

**Do not connect the white and grey wire to 230V!**

Connection for type **HCVAR** in single mode



**Caution!**

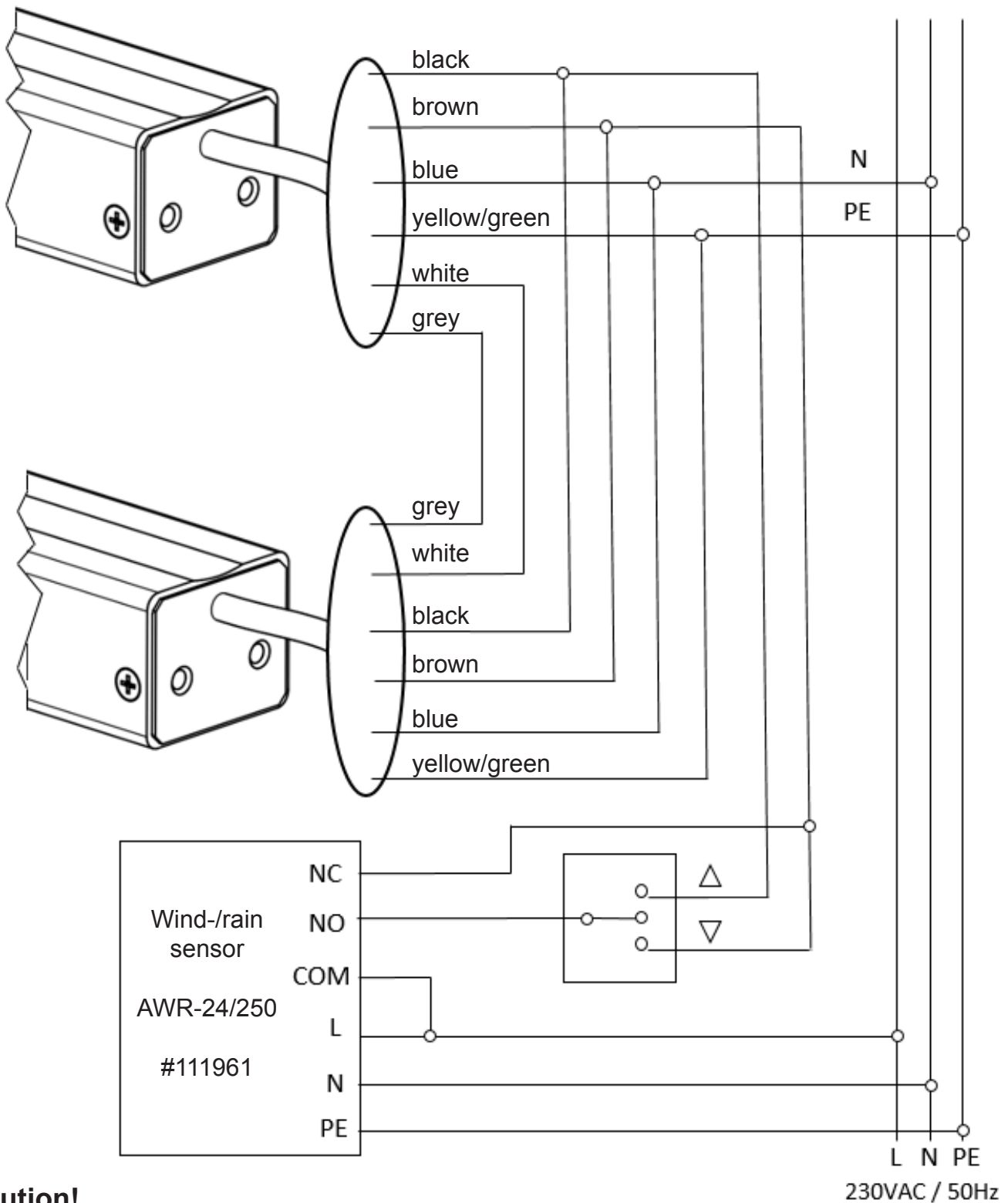
The white and grey wire are only for changing parameters.

Parameter change can only be made by Actulux or an authorized service and sales partner by Actulux.

**Note! Do not connect the white and grey wires to 230V!**

**Do not use wired comfort switch for HCVAR. Use only wireless OPUS switch #111900**

Connection for type **HCVA** in synchro mode and Wind-/rain sensor



**Caution!**

The white and grey wire are used for change parameters or for bus communication for synchro mode. Parameter change can only be done by Actulux or by an authorized Actulux service and sales partner.

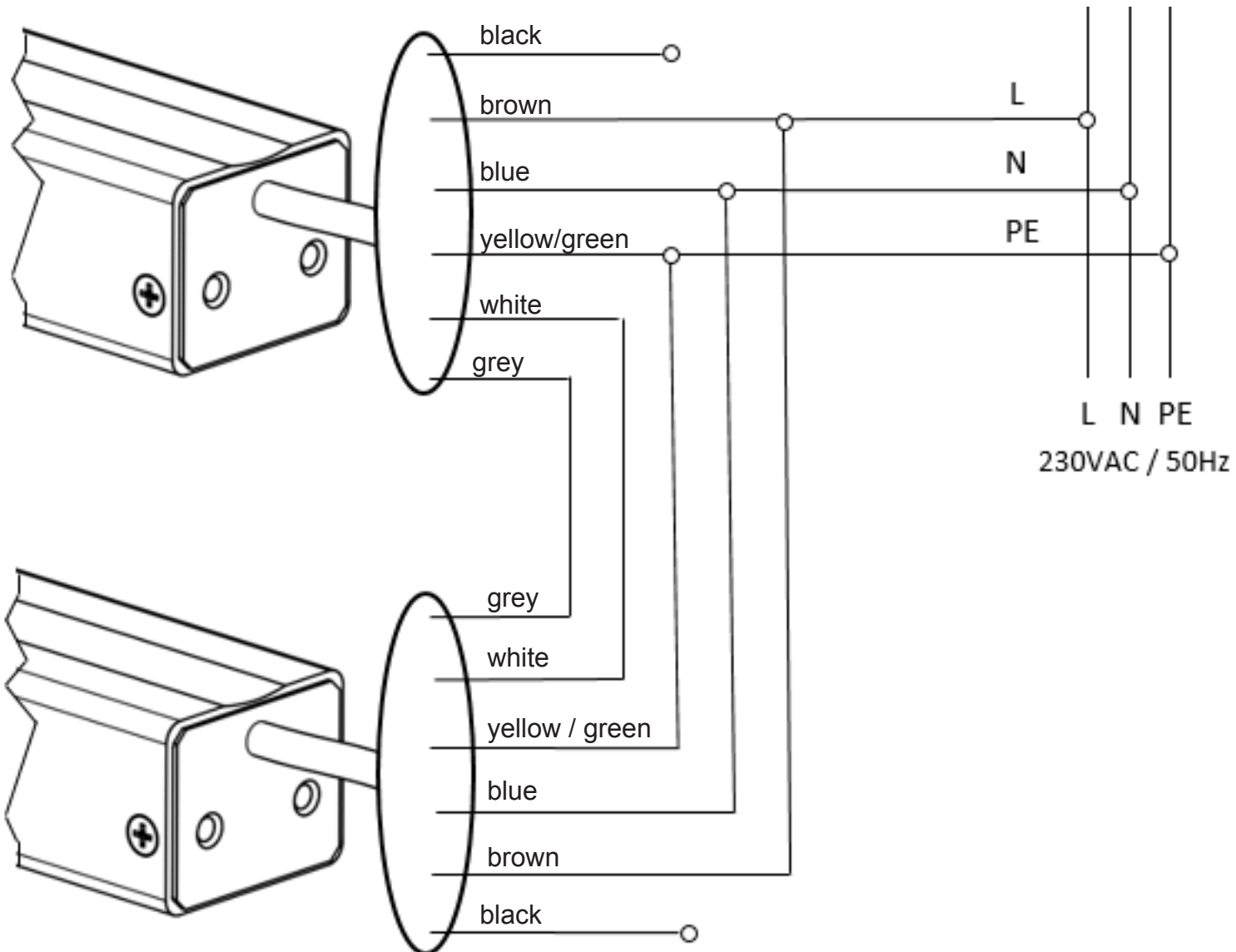
**Note! Do not connect white and grey wire to 230V!**

Connection for type **HCVAR** in synchro mode

**Note!**

Max. 4 pcs. drives can be synchronized.

(1 pcs. HCVAR can be synchronized with up to 3 pcs. HCVA, but max. 1 pcs. HCVAR per synchro set)



**Caution!**

The white and gray wire are used for change parameters or for bus communication for synchro mode. Parameter change can only be done by Actulux or by an authorized Actulux service and sales partner.

**Note! Do not connect white and grey wire to 230V!**

**Do not use wired comfort switch for HCVAR. Use only wireless OPUS switch #111900**

## Mounting instructions

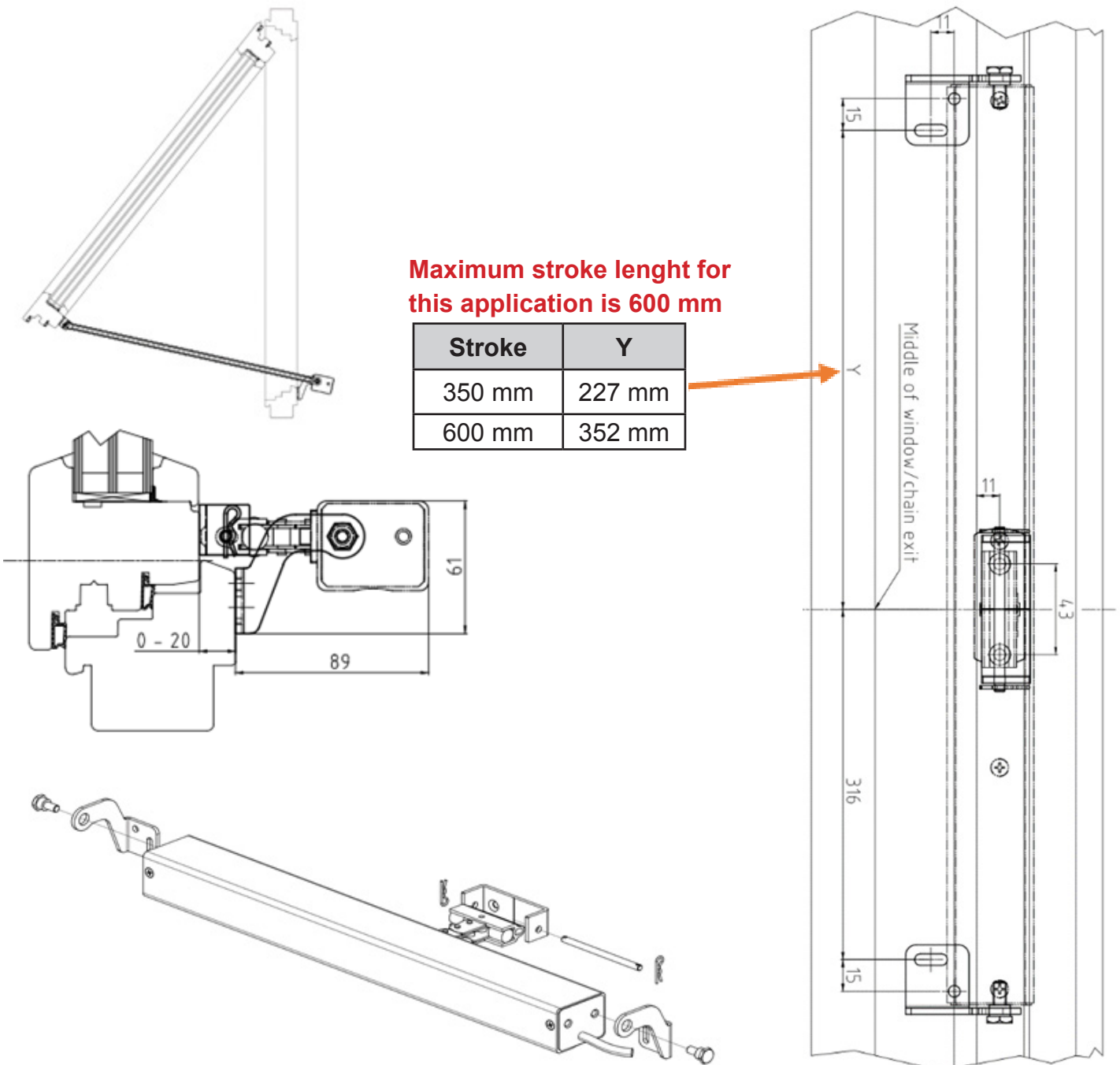
### Choice of brackets:

Application	Bracket set	Item no.	Screws*
Outwards opening window, top hung	HMB-HCV-01	390000	No
Inwards opening window, bottom and side hung	HMB-HCV-02	390120	No
Skylight	HMB-HCV-03	390130	No

**\*Select suitable screws according to frame material!**

Bracket set **HMB-HCV-01** for top hung

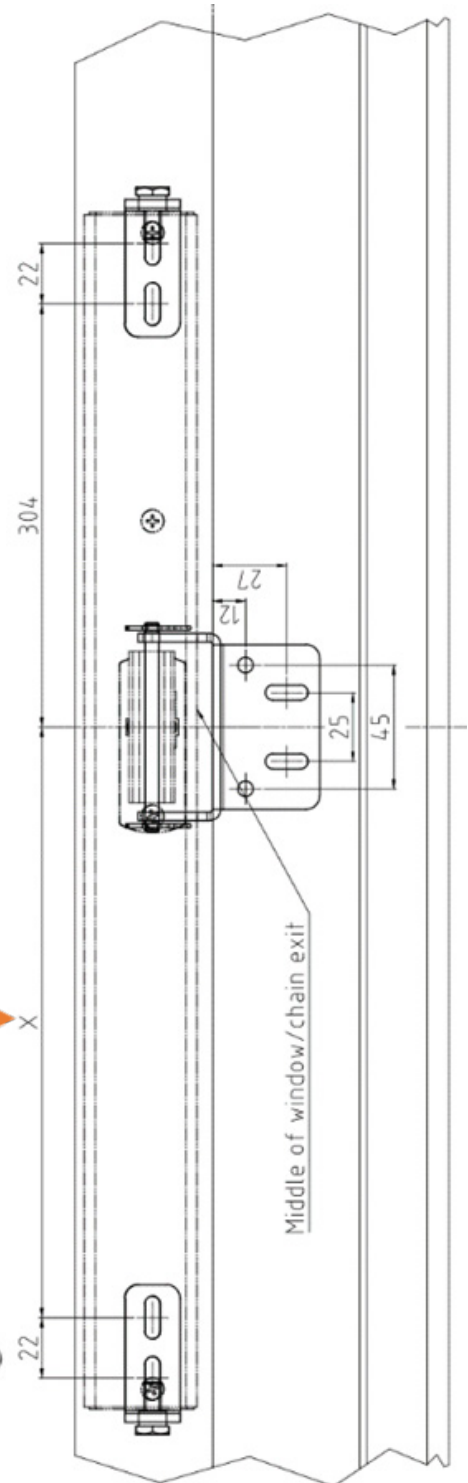
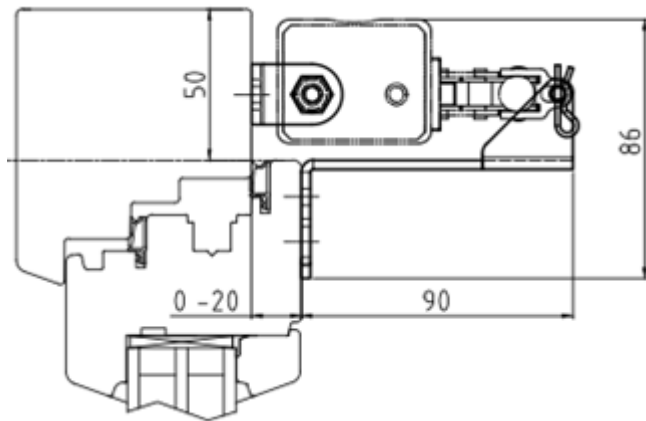
#390000



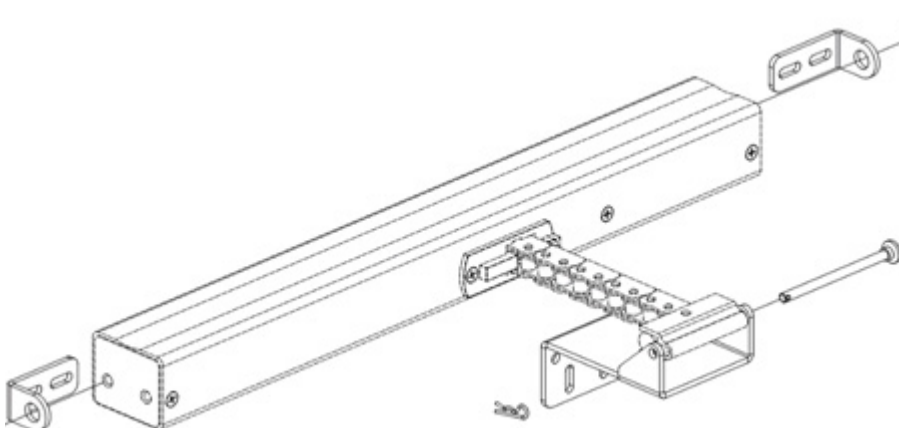


Bracket set **HMB-HCV-02** for bottom and side hung

#390120

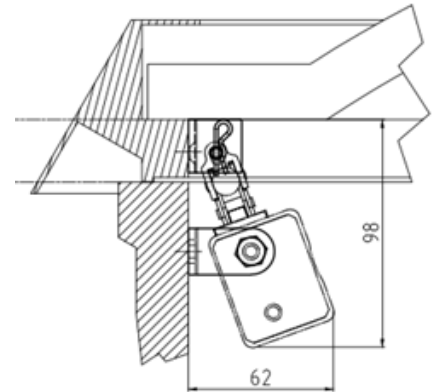
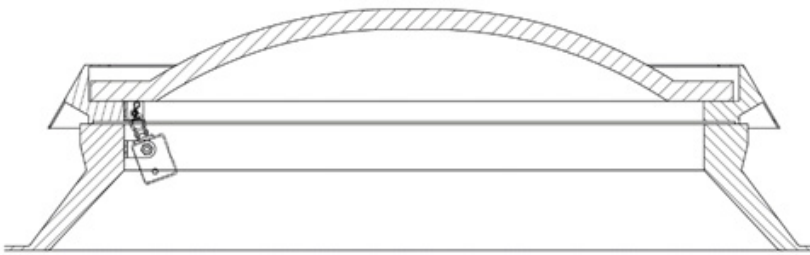


Stroke	X
350 mm	215 mm
600 mm	340 mm
800 mm	440 mm
1000 mm	545 mm



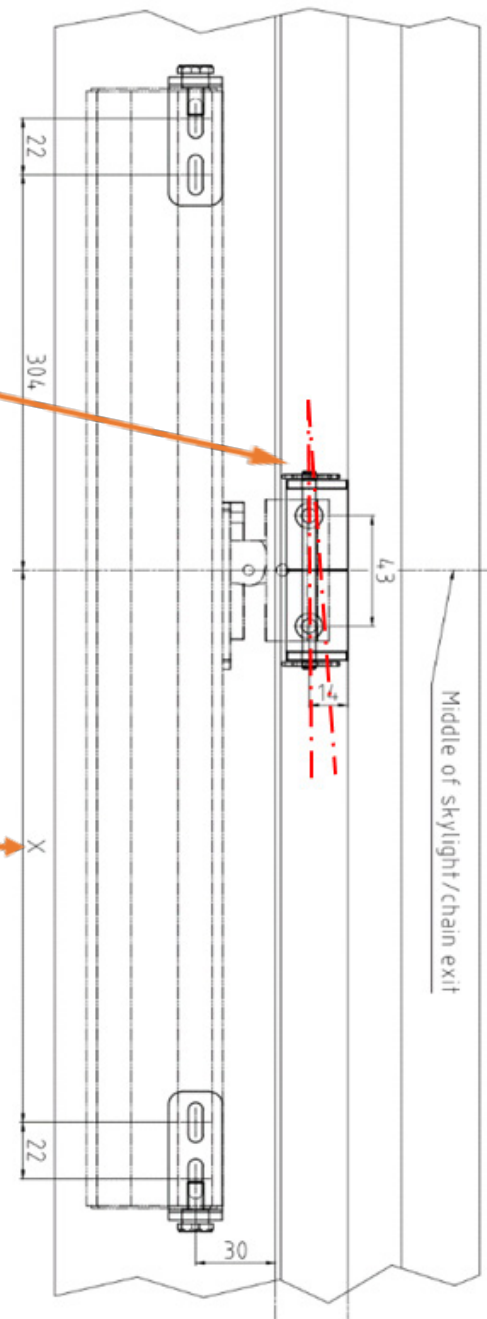
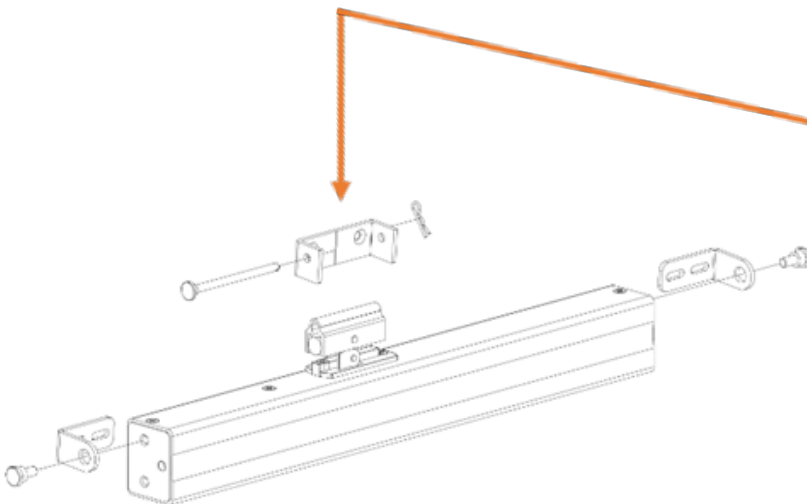
Bracket set **HMB-HCV-03** for Skylight

#390130



**Note!**

The top bracket has to be mounted straight (parallel) or tilted to the left side, to keep tension at the back of the chain.



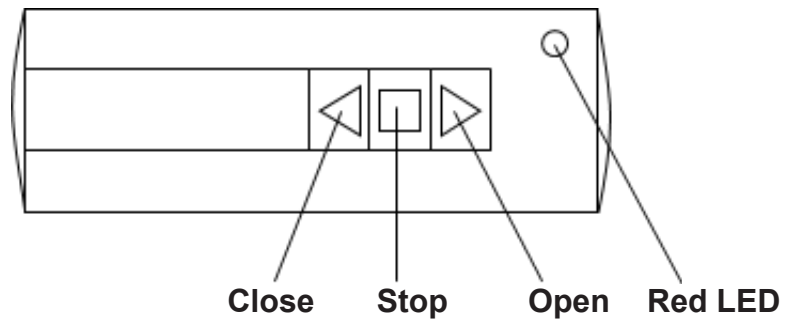
Stroke	X
350 mm	227 mm
600 mm	352 mm

Maximum stroke length for this application is 600 mm.

Function of remote control for **HCVAR**

**Note!**

The remote control is operated at a short press per function. Long pressures will cause shorter battery life.

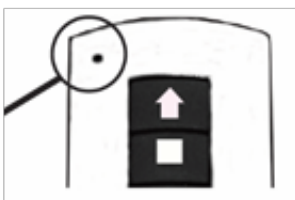
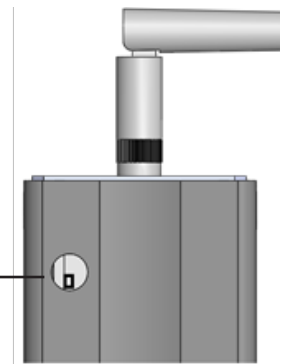


Pairing **HCVAR** with remote control

By default, HCVAR comes with a paired remote control (item no.# 111890). One chain drive remember max. 20 pcs. remote controls.

To access the “Program button” in the drive, remove the plastic cap on the top of the housing.

Program button



- 1) Press and hold the “program button” on the chain drive until the LED / Buzzer indicator lights / beeps. **RELEASE THE BUTTON IMMEDIATELY.**

2) Within 5 seconds - press any button on the remote control and its LED indicator lights up.

3) The LED / Buzzer indicator in the chain drive turns off after one flash / beep = the remote control and chain drive are now paired.

If you need to remove one remote, you have to delete all of them; by pressing the “Program button” for more than 3 seconds until the LED / Buzzer indicator has been switched on and off again. Now all remote controls are deleted and you need to pair all of them again.

Pairing **HCVAR** with wireless wind / rain sensor

It is possible to connect a wind / rain sensor wireless to the chain drive.

(See our user manual for wind and rain sensor at [www.actulux.com](http://www.actulux.com))

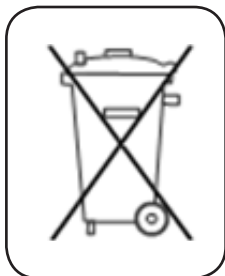
Rain sensor # 111960

Wind- & rain sensor # 111961

## Warranty

We refer to [www.actulux.com](http://www.actulux.com)

## Disposal



Electrical equipment, accessories and packaging should be recycled for environment protection!

Don't dispose electrical equipment into household waste!

Only for EU-Countries: According to the European guideline 2002/96/EG about waste electrical and electronic equipment and its implementation into national law, useless electrical and electronic equipment must be separately collected and recycled for environment protection.

## Contact

### **Actulux A/S**

Haandvaerkervej 2  
9560 Hadsund  
Denmark

Tel.: +45 98 57 40 90  
Fax: +45 96 15 28 00  
e-mail: [info@actulux.com](mailto:info@actulux.com)  
[www.actulux.com](http://www.actulux.com)

©2017 Actulux A/S  
Revision: B05-211830-12.11.2018  
Rights to technical modifications reserved