

SA Power in Tandem operation - Electrical connection

Label inside LIP BOX

"Open" lights when system is opening.
 "On" Steady: Run, Flashing: Ends witch or overcurrent has been detected
 "Sync" Steady: Waiting to synchronized, Flashing: Overload or ends witch more than 3 times in same direction.
 "OC" Low voltage or short circuit on output
 "Puls" flashes in time with the pulses detected at the actuators

SW	Off	On	Function
1	■		See setting on Typelabel placed on opening system
2	■		
3	■	■	Off = No 27KΩ line detect. On = 27KΩ for line detection
4	■		Off = Slave Allow mode On = Syncro mode in both systems
5	■		Off = Slave On = Master only in one system
6	■		Off = Tacho mode black wire On = Tandem mode
7	■		Off = No delay On = Delay between Master and Slave
8	■		Off = No function On = No function

If OC Syncro

black
brown
blue
yellow
puls

7 6 5
17 18

1 2
+ open -
- close +
Supply
24V/48V

Connect to other LIP7 f. tandem syncro comm.

Typelabel on system

LIP 7 Overload Limiter

5 Blue
6 Brown
7 Black option

SA Power Single TA xxxxxxxcm
 Product no. xxxxxx IP54
 24VDC ± 15% Max. 4A
 48VDC ± 15% Max. 2A
 Connect only through LIP!
 Nur durch LIP anschliessen!
 Tilslut kun gennem LIP!
 PATENT REGISTERED

IN 24/48VDC
 COM to next LIP

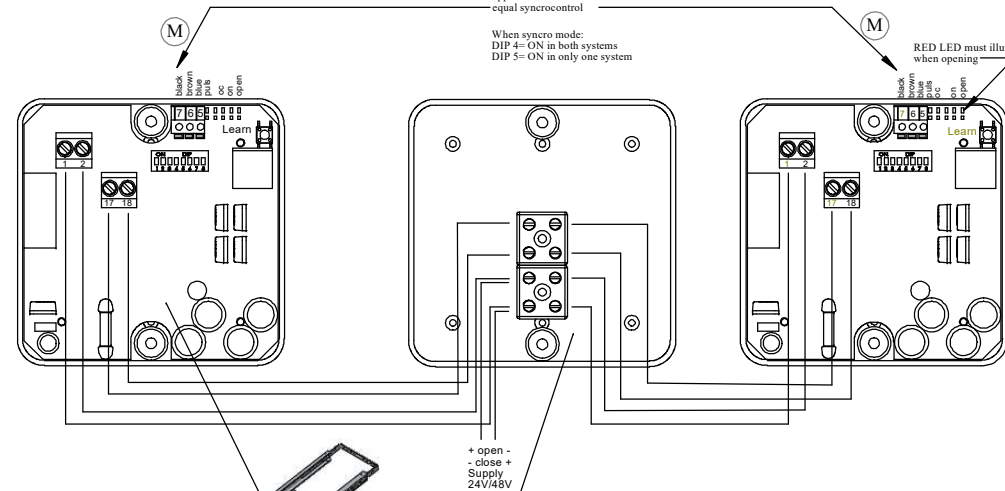
Label xxxxxx MPS xxxxx

CE

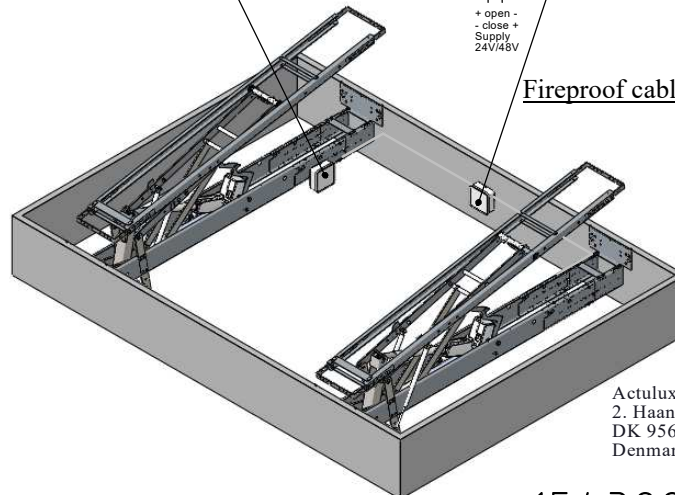
If black motor wire is applied DIP 6= OFF equal syncrocontrol

When syncro mode:
 DIP 4= ON in both systems
 DIP 5= ON in only one system

RED LED must illuminate when opening



Fireproof cable supplied by installer



Actulux

Actulux A/S
 2. Haandvaerkervej
 DK 9560 Hadsund
 Denmark

Phone int.: +45 98 57 40 90
 Fax int.: +45 96 15 28 00
 e-mail: info@actulux.com
 www.actulux.com

154322 D