

Instructions

Chain drive series HCM

Type: HCMA(R) (230VAC)



Safety Notes

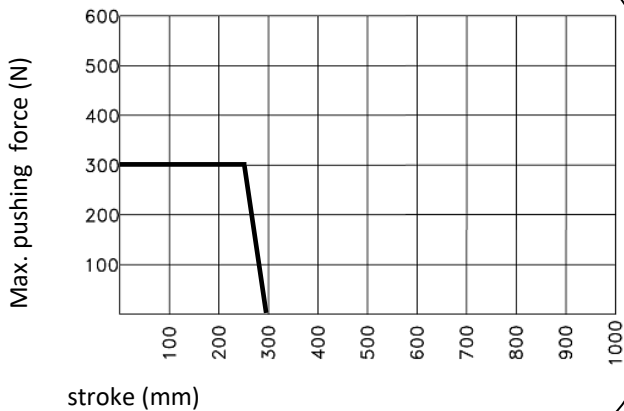


- **Operating voltage 190-250 VAC**
- Connection must be carried out by authorized electricians.
- It's necessary to ensure that people keep away from the operation area of the drives. Danger of violent pressure in accessible area!
- Use only in dry rooms.

Application area

- For opening and closing of facade and roof windows
- Suitable for natural ventilation

Stroke-pushing force diagram



Features

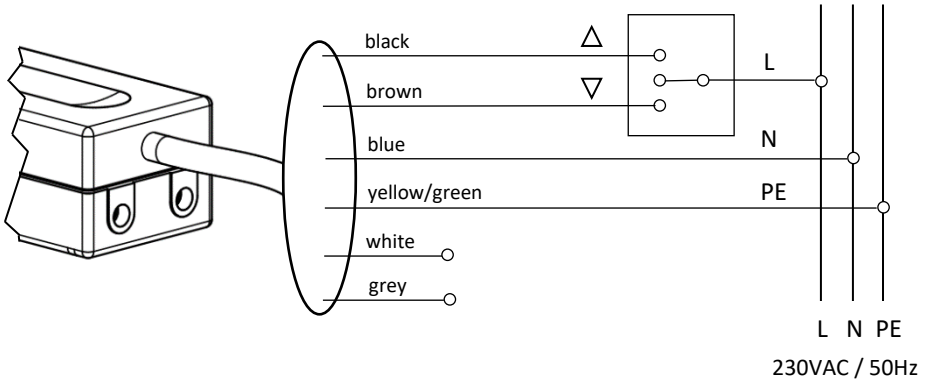
- Microprocessor controlled BUS-synchronization
- Max. 4 drives can be connected with each other
- Push/Pull-Force, Opening/Closing-Speed and Stroke length free programmable
- Electronic overload protection
- Reduced speed and force during the last 50 mm of closing (“Soft-close”)
- Symmetrical chain exit (in proportion to the housing)
- Drive is supplied with 2.5 m silicone cable
- Different types of brackets available, depends on type of windows and kind of mounting
- Integrated radio receiver with remote control (HCMAR)
- Receiver is compatible to Wind & Rain Sensor #111960 and #111961 (HCMAR)
- Tested in accordance with EN 12101-2, EN 50130-4.

Technical data

| Type | Voltage/ Current | Push force | Pull force | Stroke length | Speed Comfort |
|-----------------|---------------------|------------|------------|---------------|------------------|
| HCMA 300/300 | 230VAC/15W | 300N | 300N | 300 mm | 6.8 mm/s |

- Power Supply: 190-250VAC/15 W/50 Hz Max 10A
- Consumption: 0,5 A/230VAC
- Inrush current: 40 A/230VAC
- Leakage current: <0,75mA / 240VAC
- Speed open/close: 6,8 mm/s
- Soft close speed: 3,5 mm/s
- Soft close afstand: 50 mm
- Soft close distance: 200N
- Duty cycle: 30% at 10 min. running time
- Protective class: IP32
- Temperature range: -5°C ~ +55°C
- Locking force: 2000N
- Lifecycle: >11000 double strokes
- Force push/pull: 300N

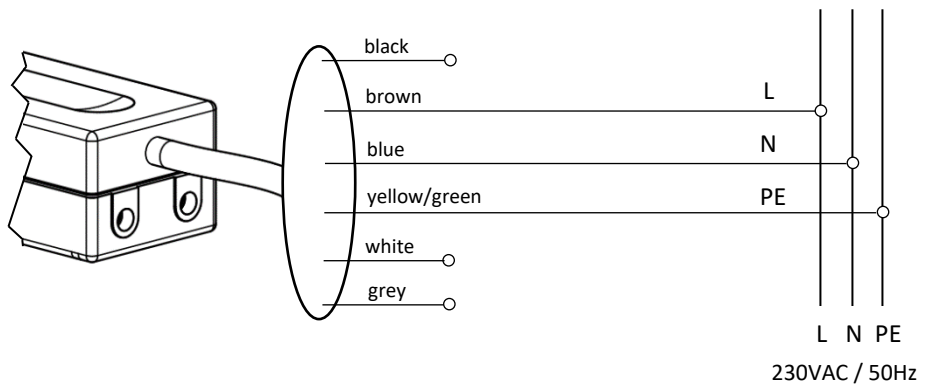
Connection for type **HCMA** in single mode



Caution: The white and grey wires are only for changing parameters. Parameter change can only be made by Actulux or an authorized service and sales partner by Actulux.

Do not connect the white and grey wire to 230V!

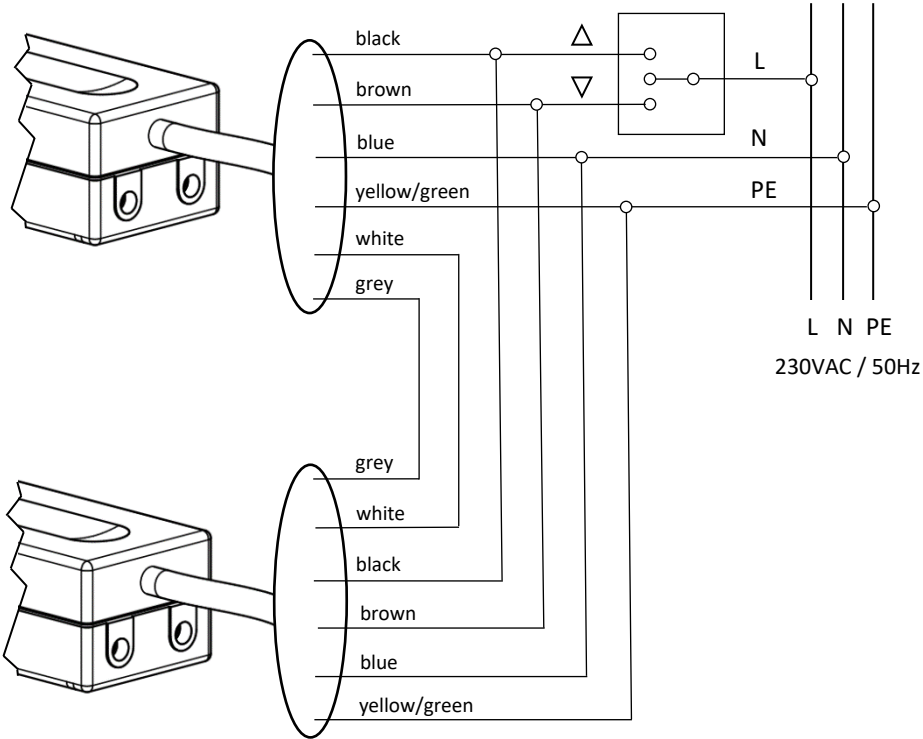
Connection for type **HCMAR** in single mode



Caution: The white and grey wire are only for changing parameters. Parameter change can only be made by Actulux or an authorized service and sales partner by Actulux.

Do not connect the white and grey wire to 230V!

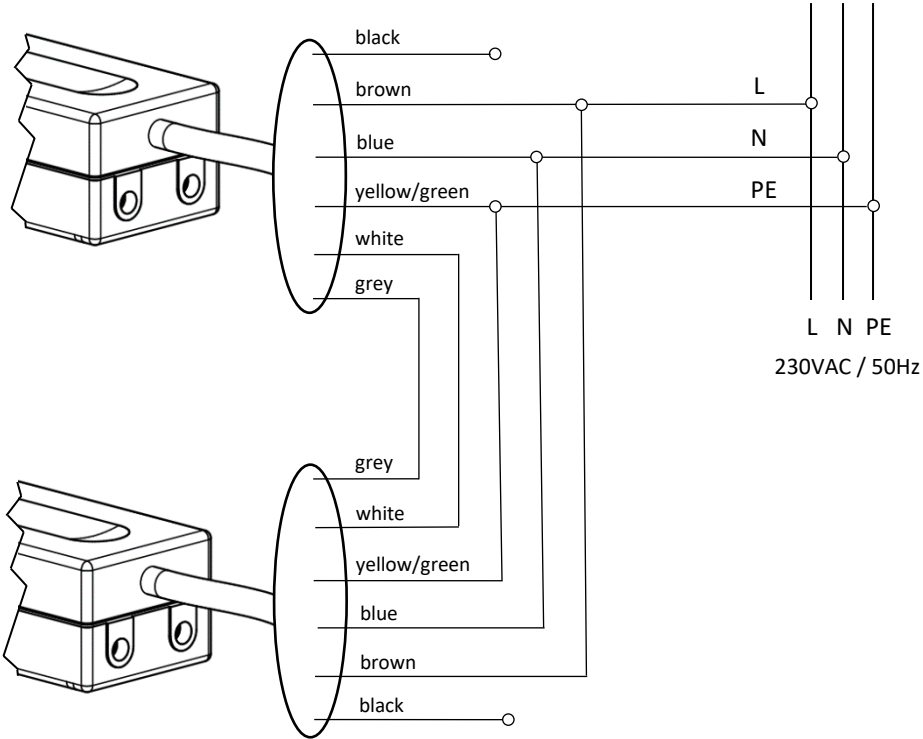
Connection for type **HCMA** in synchro mode



Caution: The white and grey wire are only for changing parameters or for BUS communication in synchro mode. Parameter change can only be made by Actulux or an authorized service and sales partner by Actulux.

Do not connect the white and grey wire to 230V!

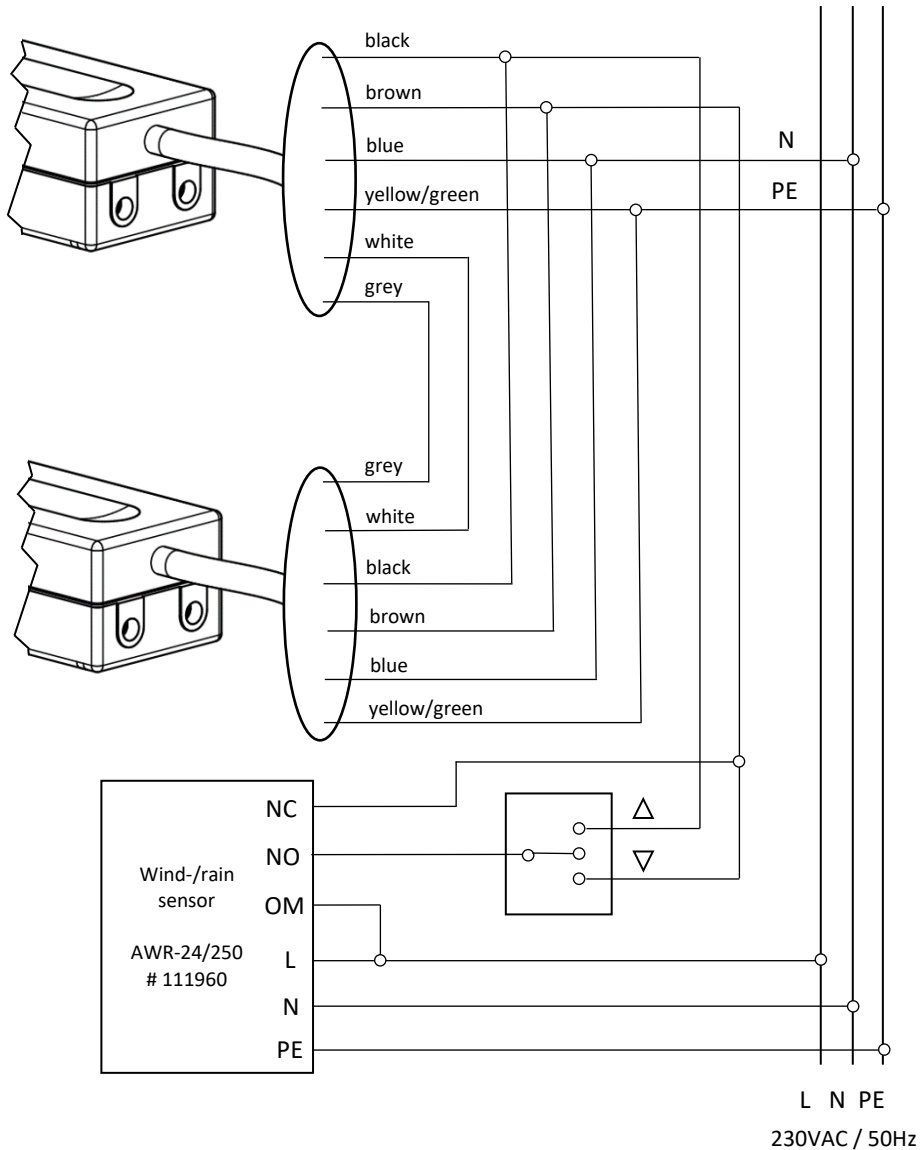
Connection for type **HCMAR** in synchro mode



Caution: The white and grey wire are only for changing parameters or for BUS communication in synchro mode. Parameter change can only be made by Actulux or an authorized service and sales partner by Actulux.

Do not connect the white and grey wire to 230V!

Connection for type **HCMA** in synchro mode and wind/rain sensor



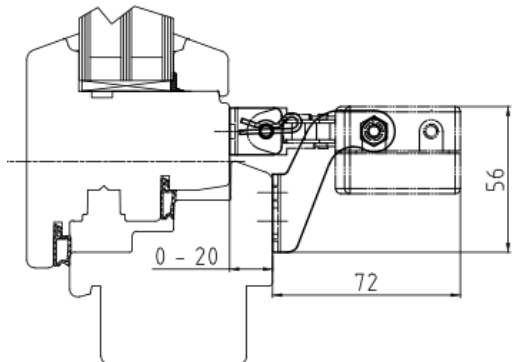
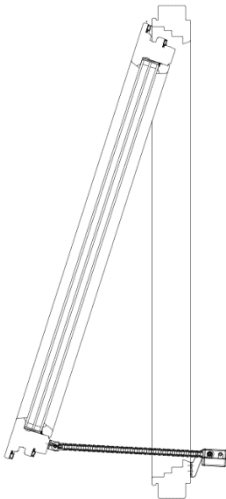
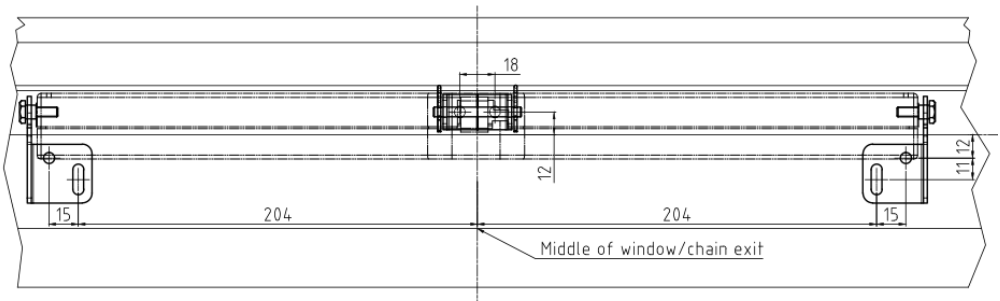
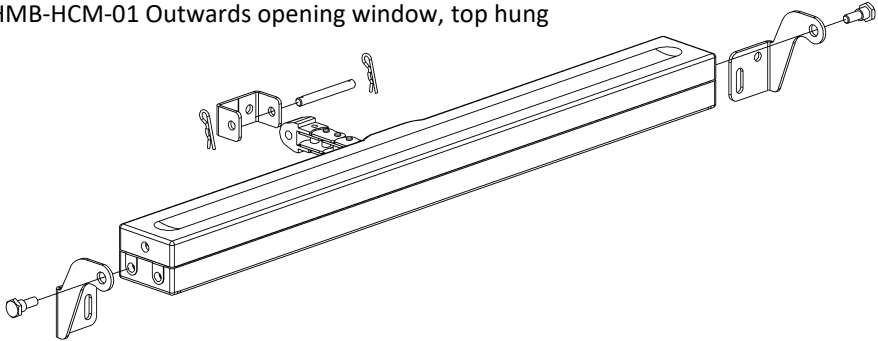
Caution: The white and grey wire are only for changing parameters or for BUS communication in synchro mode. Parameter change can only be made by Actulux or an authorized service and sales partner by Actulux.

Do not connect the white and grey wire to 230V!

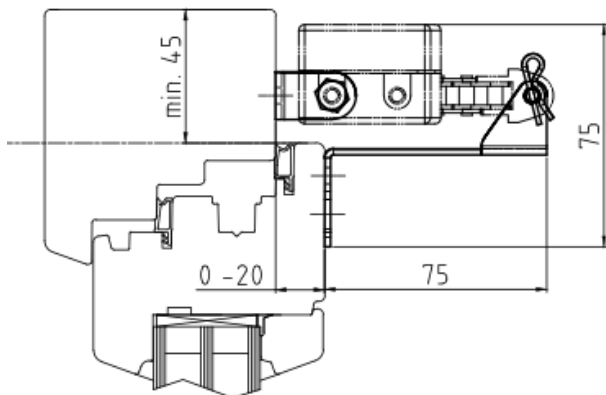
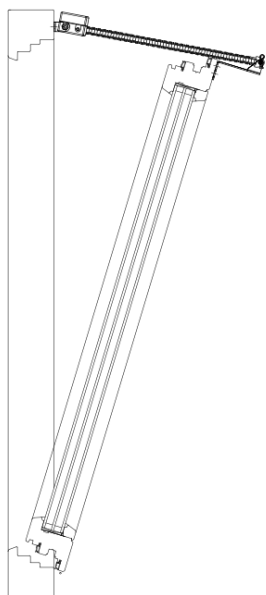
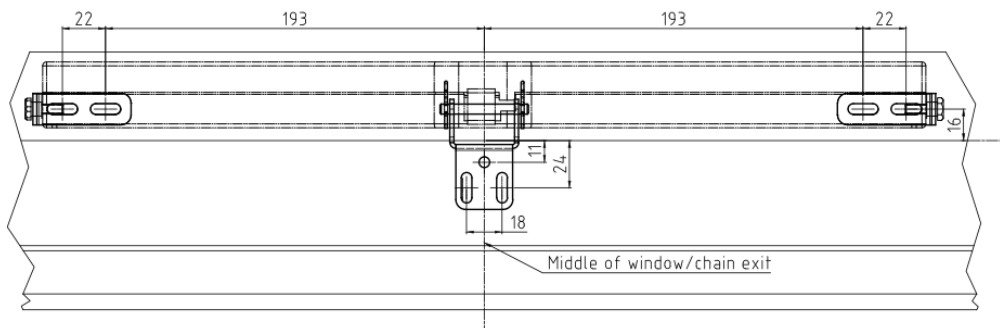
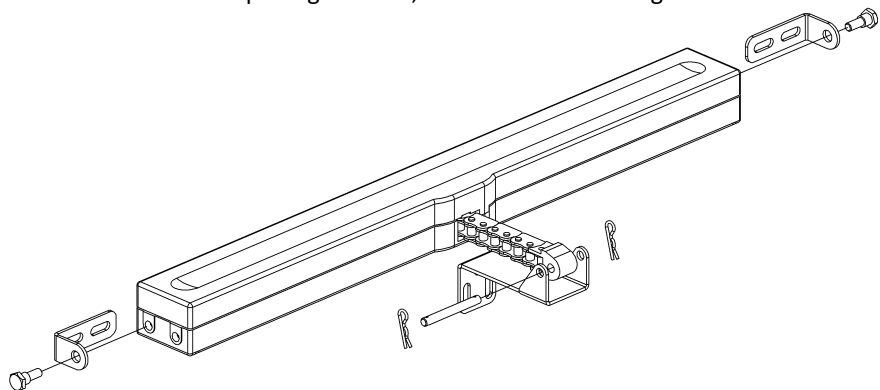
Mounting instructions

| Application | Bracket Set | Order No. |
|--|-------------|-----------|
| Outwards opening window, top hung | HMB-HCM-01 | 390150 |
| Inwards opening window, bottom and side hung | HMB-HCM-02 | 390160 |
| Skylight | HMB-HCM-03 | 390190 |

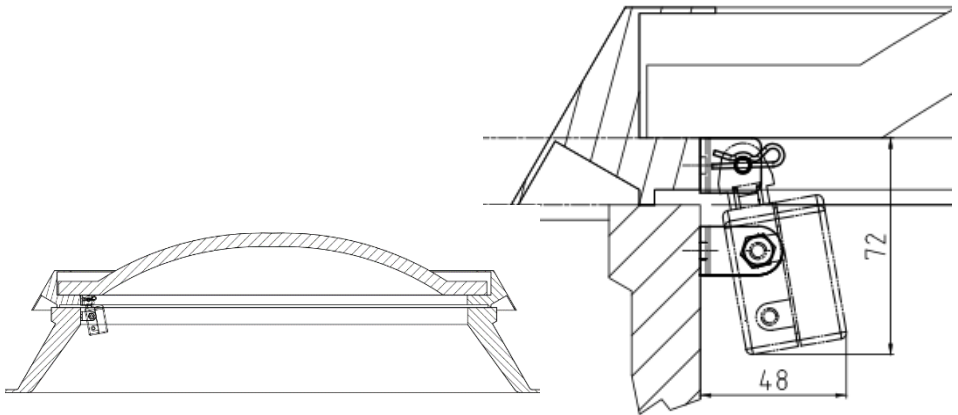
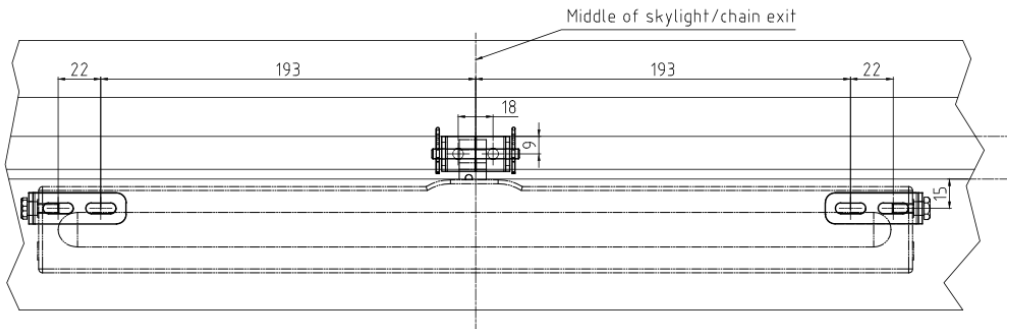
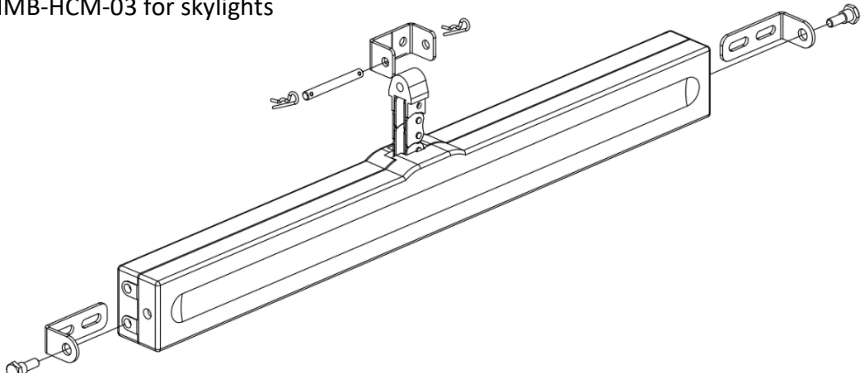
HMB-HCM-01 Outwards opening window, top hung



HMB-HCM-02 Inwards opening window, bottom and side hung

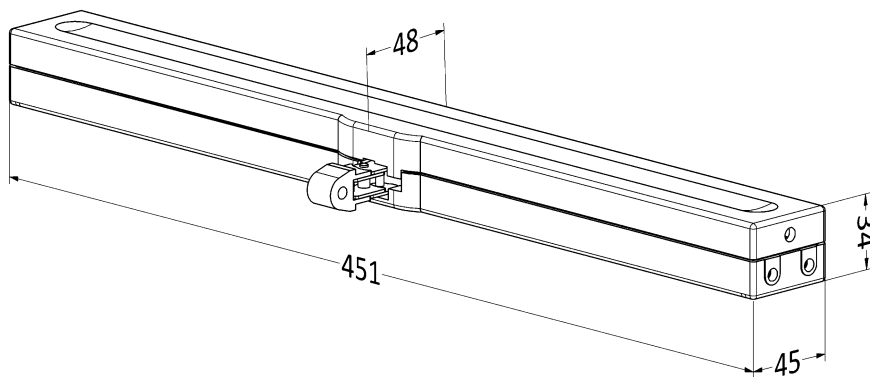


HMB-HCM-03 for skylights

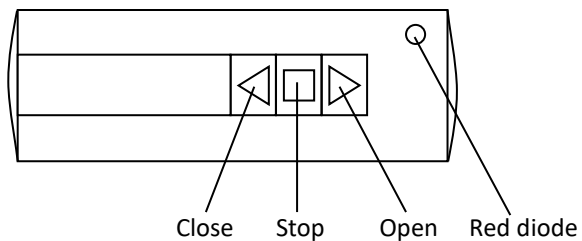


Please be aware, that in all bracket sets are no screws included. Choose proper screws according to frame material!

Dimensions of type HCMA(R)



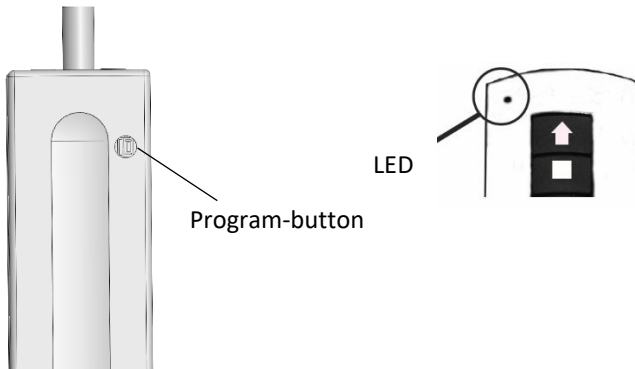
Function of remote control (only HCMAR)



Pairing of HCMAR with remote control

As standard the HCMAR is delivered with a paired remote control. If the remote control get damaged or lost, order spare part #111890.

To get access to the "program button" in the chain drive, remove cap on the top of the housing.



- 1) Press the "program button" on the chain drive, and hold on until the LED/Buzzer indicator illuminate/beep. **RELEASE THE BUTTON IMMEDIATELY.**
- 2) Within 5 sec. press, any of the buttons on the remote transmitter and this LED-indicator will illuminate.
- 3) The LED/Buzzer-indicator in chain drive will switches OFF after one flash/beep = remote transmitter and chain drive are now paired.

One chain drive can memorize maximum 20 transmitters.

If you have to remove a remote transmitter, you have to delete all by pressing the "program button" and hold for more than 3 sec. until the LED/Buzzer indication has been ON and OFF again.

Now all remote transmitters are deleted, and you must pair the remote transmitters again.

Pairing of HCMAR and wind and rain sensor, with remote control

HCMAR with wind and rain sensor # 111960 or # 111961, with remote control

To access to the "program button" of the motor, remove the plastic cap on the top of the motor housing.

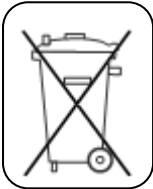
It is possible to connect wind and rain sensor wireless to the control panel, actuator or motor via an RF transmitter # 111892 which is installed in the socket. (See user manual for wind and rain sensor). Then the transmitter must be paired with the receiver, which is done by setting DIP "Learn TX" to "ON" and then press "program button" on the receiver until the LED / Buzzer indication lit / beeps, release the button and the LED / Buzzer indication goes out.

Remember to set DIP "Learn TX" to "OFF" afterwards and test the sensor can range to the receiver.

Warranty

We refer to www.actulux.com

Disposal



Electrical equipment, accessories and packaging should be recycled for environment protection!

Don't dispose electrical equipment into household waste!

Only for EU-Countries: According to the European guideline 2002/96/EG about waste electrical and electronic equipment and its implementation into national law, useless electrical and electronic equipment must be separately collected and recycled for environment protection.

Contact

Actulux A/S

Håndværkervej 2

DK-9560 Hadsund

Denmark

Telefon: +45 98 57 40 90

Fax: +45 96 15 28 00

www.actulux.com

©2017 Actulux A/S

Revision: B05-211815-28.09.2017

Rights to technical modifications reserved