

Quick Guide



GSM Modem for Control Panels

Actulux A/S | Haandvaerkervej 2 | DK-9560 Hadsund | Tel.: +45 98 57 40 90
info@actulux.com | www.actulux.com

#211725
Rev 0.3 21.09.2017

- Box content:
- GSM Modem
 - USB-cable

Step by step guide:

Installation

1. Dismount the modem from the mounting plate before installation. (2 screws)
2. Insert SIM card into modem. See Figure 1
3. Connect power cable but do not power up yet -> +24V to terminal 1 and GND to terminal 2
 - a. If SVM control panel is used, then use terminal 22 for GND and terminal 23 for 24V supply.
 - b. If SV control panel is used, then use terminal 29 for GND and terminal 30 for 24V supply.
4. Ensure sustained power to modem in case of main power fail.
 - a. At SVM control panel – Jumper on J11 mounted. See Figure 3.
 - b. At SV control panel - F9 (Fuse) is connected between 24V & Batt Sup. See Figure 4.
5. Connect alarm- and fail relay's. See Figure 5.
6. Attach the modem to the mounting plate again.

IMPORTANT! FOLLOW THE ORDER OF STEPS

System setup

1. Download software from www.Actulux.dk see Techn. Info
2. Open the folder and install the file: setup.exe
3. Connect the USB cable to the modem. See Figure 2.
4. Power up system
5. Wait 10 seconds
6. Run ConfigureModem.exe file – Select COM port and enter the phone number -> Press then Phone Setup.
7. Disconnect USB cable
8. Disconnect modem power

Set system in normal operation

1. Reconnect modem power

System is now running. The user will receive a SMS with the text:
"Smoke Vent Monitor powered up!"

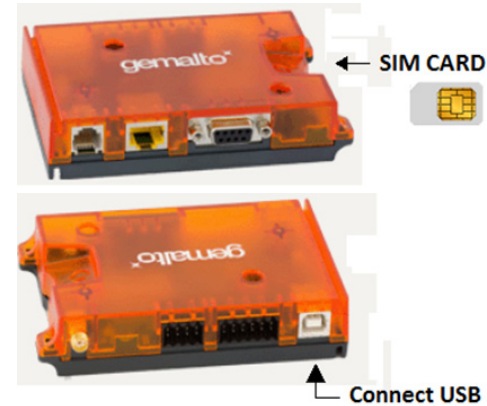


Figure 1: Where and how to insert the SIM card

Figure 2: Where to insert the USB cable for configuration

Electrical connection

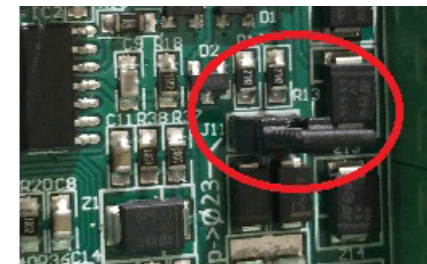
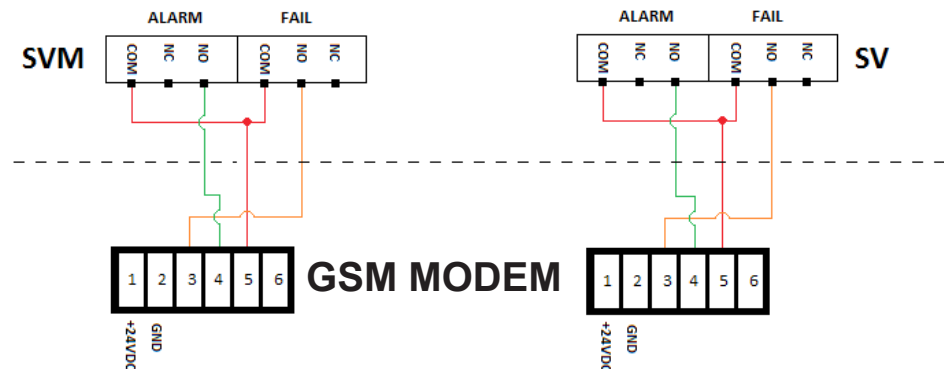


Figure 3: SVM control panel power settings



Figure 4: SV control panel power settings

Figure 5: Connection diagram between control panels and modem.



Testing the system:

(Make sure that this test will not trigger an alarm to the rest of the system)

The system sends a SMS with the following text in these cases:

1. Power up – ”Smoke Vent Monitor powered up”
2. Disconnect 230VAC – “MESSAGE FROM SMOKE VENT – SYSTEM NEEDS ATTENTION!”
3. Reconnect 230VAC – “MESSAGE FROM SMOKE VENT – SYSTEM OK”
4. Fire switch pressed – “MESSAGE FROM SMOKE VENT – SYSTEM NEEDS ATTENTION”
5. Fire alarm reset – “MESSAGE FROM SMOKE VENT – OK”

Be aware that the system will only send one SMS in the event of an alarm or fail. If fail occurs before the alarm, then the user will only receive one SMS and in this case it will be the “fail message” SMS.

Control of mobile network connection:

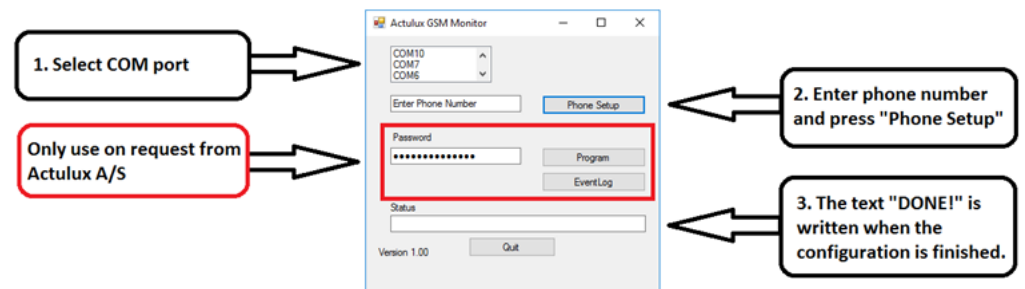
Since the modem uses external mobile network operators, we recommend checking the mobile connection regularly, by forcing the system into failure mode.

Guide for changing SIM card & phone number on existing system:

1. Disconnect power
2. Change the SIM card. See Figure 1.
3. Connect USB cable to the modem. See Figure 2
4. Download software from www.Actulux.dk/Techn. Info/Software
5. Power up system
6. Wait for 10 seconds
7. Run ConfigureModem.exe – Select COM port and enter phone number -> Press then Phone Setup. See figure 6
8. Disconnect USB cable
9. Disconnect modem power
10. Reconnect modem power

Remember to verify that the system is up and running after using the Actulux GSM Modem PC software. To do this, follow the steps in the “Testing the system” section of this document, page 3.

Figure 6

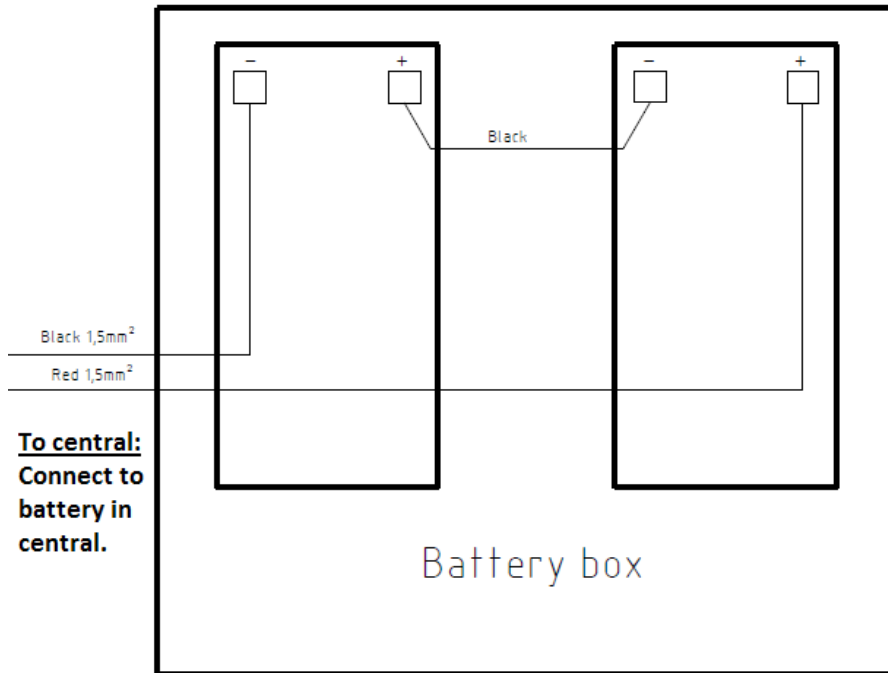


For 72 hours backup (EN 12101-10):

The GSM Modem uses max. 300 mA , and will automatically shut down after 5 hours in failure mode.

If the system requires more backup capacity, please install the Actulux battery box (12Ah), which we also recommend at any doubt.

Battery connection diagram



Features:

Power: 12V to 30VDC (300mA at 24V)
Dimensions (HxWxD): 180x110x60 mm
Weight: 0.6 kg
Protection class: IP65
Operating temperature: -10° to +45° C
CE-marking: in accordance with the EMC-directive and low voltage directive
Connection of unit has to be carried out by professionals
Product no.: #111950
Optional: Actulux battery box 12Ah - for 72 hours backup (Product no. #216000)

Manufacturer:

Actulux A/S
Håndværkervej 2
DK 9560 Hadsund
Denmark

Tel.: +45 98 57 40 90
Fax: +45 96 15 28 00
e-mail: info@actulux.com
www.actulux.com