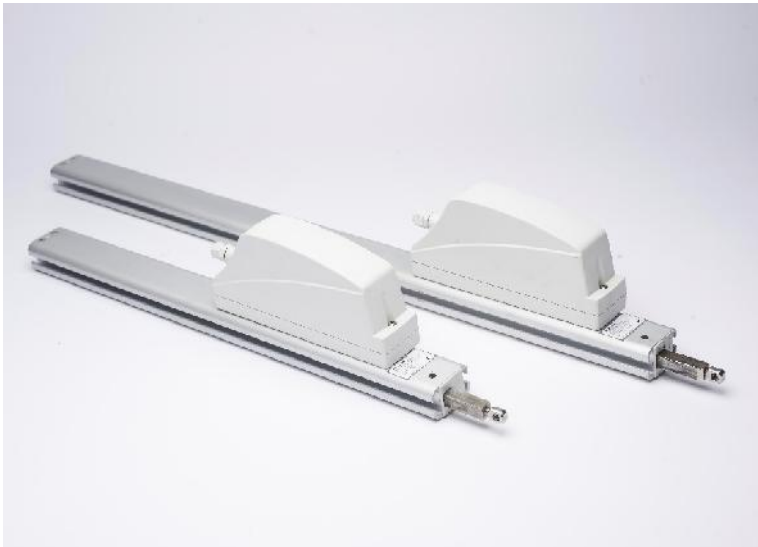


## Instructions

### HTRW Rack drive series

Type: HTRW (24 V DC)



## Safety Notes



- **Operating voltage 24 V DC! Don't connect directly to grid!**
- Connection must be carried out by authorized electricians.
- It's necessary to ensure that people keep away from the operation area of the drives. Danger of violent pressure in accessible area!
- Use only in dry rooms.

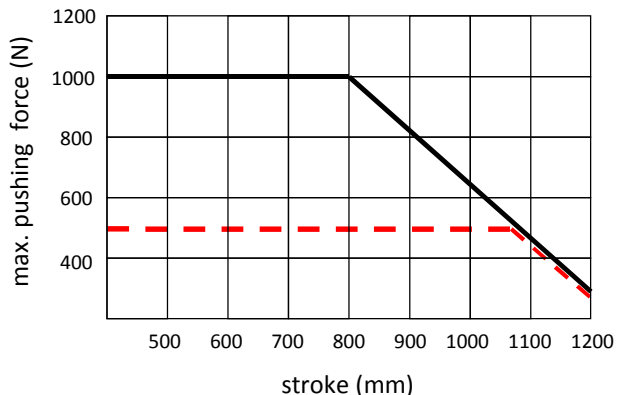
## Application area

- For opening and closing of facade and roof windows
- Suitable for natural ventilation

## Stroke-pushing force diagram



- **Maximum pushing force of rack is dependent on stroke and does not correspond to the maximum pushing force of drive!**



## Features

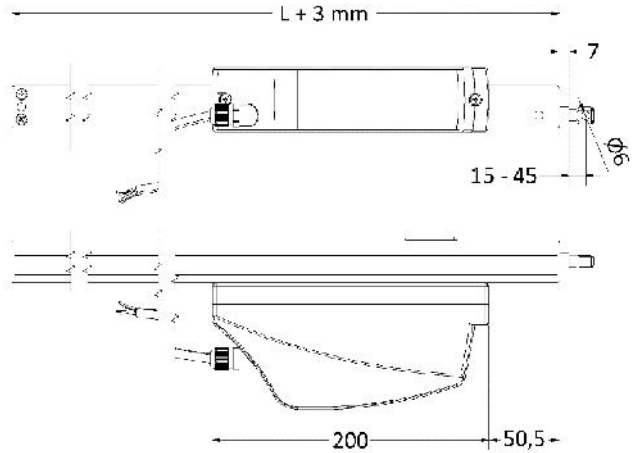
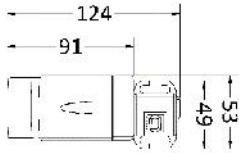
- Microprocessor controlled BUS-synchronization
- Max. 8 drives can be connected with each other
- Push/Pull-Force, Opening/Closing-Speed and Stroke length free programmable
- Electronic overload protection
- Gasket relief after closing
- Reduced speed and force during the last 70 mm of closing ("Soft-close")
- 2 different speeds, one for daily ventilation (slow) and one for SHEV (fast)
- Aluminium alloy tube with special surface treatment
- Drive is supplied with 2.5 m silicone cable
- Different types of brackets available, depends on type of windows and kind of mounting
- Compatible to all Actulux 24 V SV and SVM Control Panels

## Technical data

Type	Current	Push force	Pull force	Stroke length	Speed open (HS)	Speed close
HTRW 500/350	1.0 A	500 N	500 N	350 mm	10 mm/s	10 mm/s
HTRW 1000/350	1.4 A	1000 N	1000 N	350 mm	10 mm/s	10 mm/s
HTRW 500/600	1.0 A	500 N	500 N	600 mm	10 mm/s	10 mm/s
HTRW 1000/600	1.4 A	1000 N	1000 N	600 mm	10 mm/s	10 mm/s
HTRW 500/800	2.0/1.0 A	500 N	500 N	800 mm	14 mm/s	10 mm/s
HTRW 1000/800	2.5/1.4 A	1000 N	1000 N	800 mm	14 mm/s	10 mm/s
HTRW 500/1000	2.0/1.0 A	500 N	500 N	1000 mm	17 mm/s	10 mm/s
HTRW 1000/1000	2.5/1.4 A	--	1000 N	1000 mm	17 mm/s	10 mm/s

- Voltage: 24 V DC  $\pm$  15 %
- Locking force: 1000 N
- Lifecycle: >10000 double strokes
- Duty cycle: 30% at 10 min. running time
- Protective class: IP65
- Temperature range: -5°C ~ +50°C
- Soft close speed: ca. 5 mm/s
- Soft close distance: 70 mm
- Soft close force: 150 N

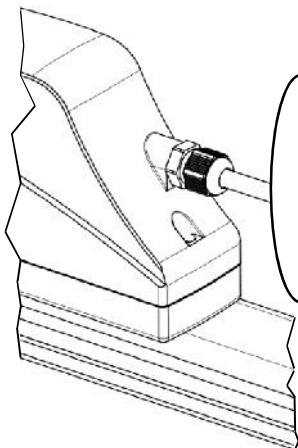
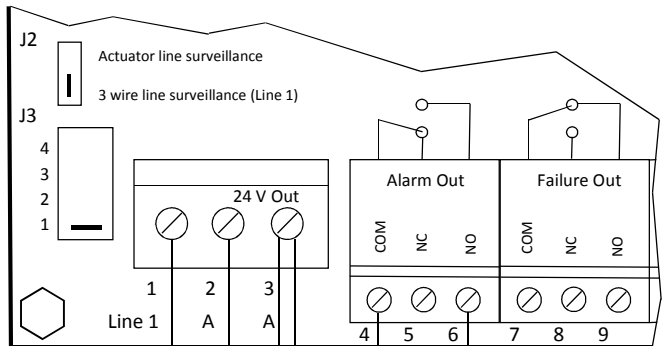
## Dimensions of type HTRW



Stroke	Length L
350 mm	510 mm
600 mm	760 mm
800 mm	960 mm
1000 mm	1160 mm

## Connection for type HTRW in single mode

For line surveillance a third wire is necessary. Connect a 27kΩ resistor between terminal 1 and the red wire. Further set jumper J2 and J3 like shown in drawing. If no line surveillance is necessary, remove jumper J2 and J3.

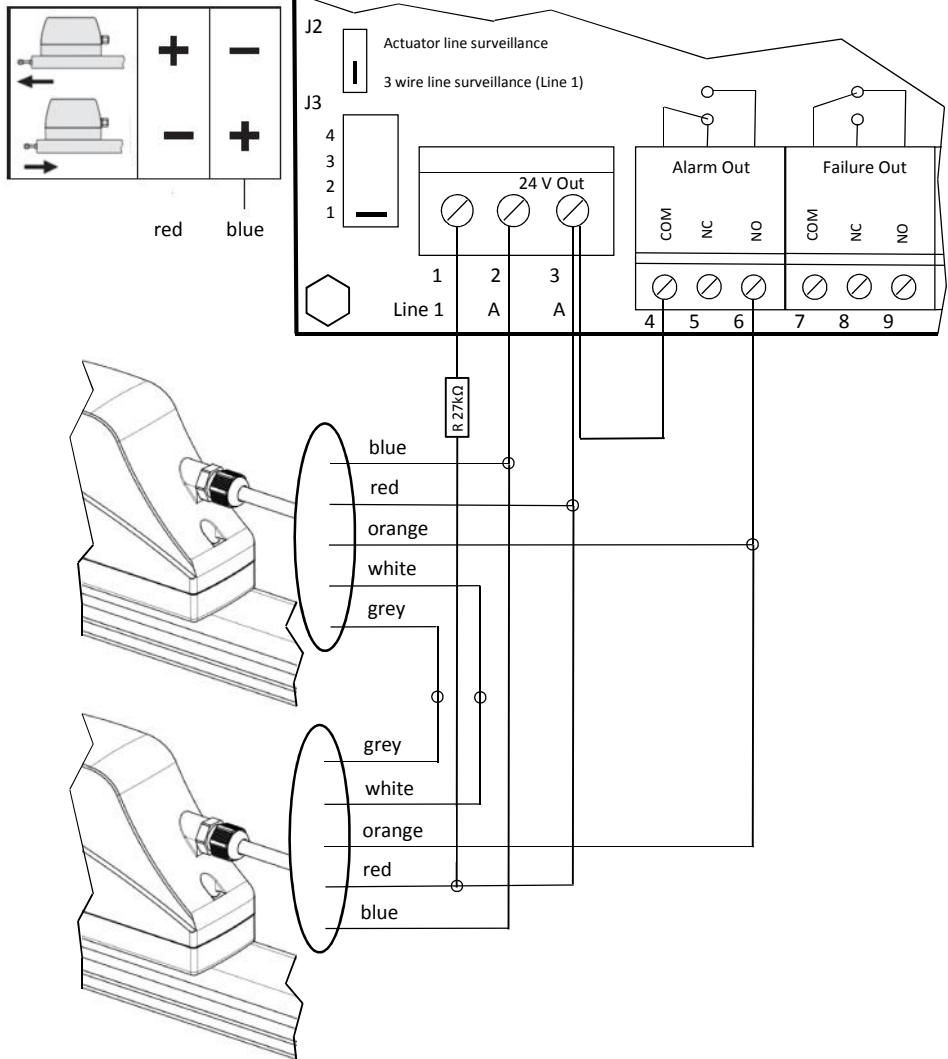


blue  
red  
orange  
white  
grey

**Caution: The cables of white and grey are only for changing parameters by an authorized service and sales partner by Actulux.**

**Don't connect the cables of white and grey to 24V!**

# Connection for type **HTRW** in synchro mode



**Caution: The cables of white and grey are only for changing parameters by an authorized service and sales partner by Actulux or for BUS communication in synchro mode.**

**Don't connect the cables of white and grey to 24V!**

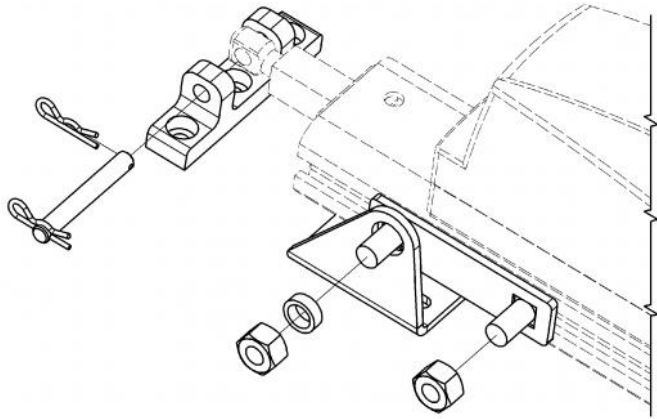
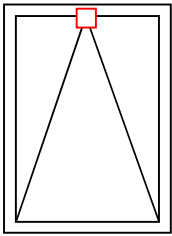
For line surveillance a third wire is necessary. Connect a 27kΩ resistor between terminal 1 and the red wire of the last drive. Further set jumper J2 and J3 like shown in drawing. If no line surveillance is necessary, remove jumper J2 and J3.

## Mounting information

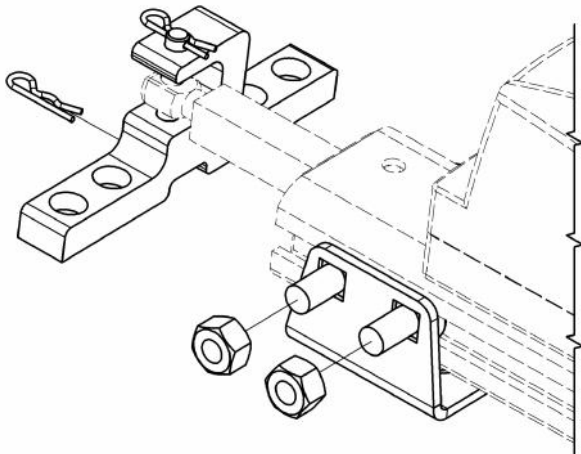
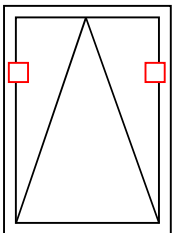
Application	Bracket set	Order No.
Outwards opening window, opposite hinge mounting	HMB-HTRW-01	390100
Outwards opening window, side mounting	HMB-HTRW-02	390110

Please be aware, that in all bracket sets are no screws included. Choose proper screws according to frame material!

HMB-HTRW-01



HMB-HTRW-02



# Declaration of performance



No. 004CPR2013-05-29



(DK) YDEEVNEDEKLARATION IHT. FORORDNING NR. (EU) 305/2011  
(UK) DECLARATION OF PERFORMANCE ACCORDING TO REGULATION NO. (EU) 305/2011  
(D) LEISTUNGSERKLÄRUNG GEMÄSS DER VERORDNUNG NR. (EU) 305/2011

For produktet: **Tandstangsmotor**  
For the product: **Rack and pinion drive**  
Für das Produkt: **Zahnstangenantrieb**

Type/Type/Typ: **HTRW xxx/xxx og/and/und HTRW-S xxx/xxx**

Nr./No./Nr.: **330035 – 333100 og/and/und 334035 – 339100**

Formål: **Elektrisk motor til åbning og lukning af vinduer**  
Purpose: **Electric drive for opening and closing of windows**  
Verwendungszweck: **Elektrischer Antrieb zum Öffnen und Schließen von Fenstern**

Producenten:  
Manufacture: **Actulux A/S, Haandvaerkervej 2, 9560 Hadsund Denmark**  
Hersteller:

System for attestering og kontrol af ydeevne:  
System for attestation and verification of performance: **SYSTEM 1**  
System zur Bescheinigung und Prüfung der Performance:

Det bemyndigede organ **TÜV SÜD Product Service GmbH No 0123** gjorde den indledende inspektion af fabrikken og af dennes egen produktionskontrol samt løbende overvågning, vurdering og evaluering af fabrikkens egen produktionskontrol til **SYSTEM 1**, og følgende vises:

The notified body **TÜV SÜD Product Service GmbH No. 0123** made the initial inspection of factory and of factory production control, and ongoing monitoring, assessment and evaluation of factory production control to the **SYSTEM 1** and the following is displayed:

Die notifizierte Stelle **TÜV SÜD Produkt Service GmbH Nr. 0123** hat die Erstinspektion des Werkes und der werkeigenen Produktionskontrolle sowie die laufenden Überwachung, Bewertung und Evaluierung der werkeigenen Produktionskontrolle nach dem **SYSTEM 1** vorgenommen und Folgendes ausgestellt:

**EC CERTIFICATE OF CONFORMITY**  
**NO. E8N 13 04 84583 001**

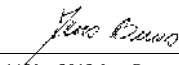
Deklarerede ydeevne/Declared performance/Erklarte Leistung:

Feature/Feature/Merkmal	Ydeevne/Performance/Leistung	Specifikation/Specification/Spezifikation
EMC/EMC/EMV	Class III (24 V DC)	EN 61000-6-1:2007 og/and/und EN 61000-6-3/A1:2011

Udførelsen af produktet i overensstemmelse med punkt 1 og 2 svarer til den deklarerede ydeevne for nummer 9. Ansvarlig for at skabe denne ydeevnedeklarationen er producenten henvist til punkt 4. Underskrevet på vegne af fabrikanten og navnet på fabrikanten af:

The performance of the product in accordance with paragraphs 1 and 2 corresponds to the declared performance for number 9. Responsible for creating this declaration of performance is the manufacturer referred to point 4. Signed on behalf of the manufacturer and the name of the manufacturer of:

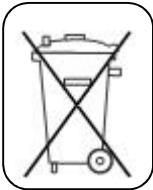
Die Leistung des Produkts gemäß den Nummern 1 und 2 entspricht der erklärten Leistung nach Nummer 9. Verantwortlich für die Erstellung dieser Leistungserklärung ist allein der Hersteller gemäß Nummer 4. Unterzeichnet für den Hersteller und im Namen des Herstellers von:

  
Hadsund d. 14 May 2013, Jens Buus, Managing director

## Warranty

The warranty period is 2 years for all Actulux products from the date of verified handing over the system up to maximal 5 years after the date of delivery if the installation and implementation is performed by an authorized service and sales partner by Actulux.

## Disposal



Electrical equipment, accessories and packaging should be recycled for environment protection!

Don't dispose electrical equipment into household waste!

Only for EU-Countries: According to the European guideline 2002/96/EG about waste electrical and electronic equipment and its implementation into national law, useless electrical and electronic equipment must be separately collected and recycled for environment protection.

## Contact

**Actulux A/S**  
**Håndværkervej 2**  
**DK-9560 Hadsund**  
**Denmark**  
**Fon: +45 98 57 40 90**  
**Fax: +45 96 15 28 00**  
**[www.actulux.com](http://www.actulux.com)**

©2016 Actulux A/S  
Revision: B00 211840  
Rights to technical modifications reserved