

## SA Power Double Installation

Place the Actulux SA Power Double opening system in the center of the skylight.

1) The main part with actuators and arms is lowered into skylight body frame and fixed by 4 screws in each end. The LIP box for wire mounting should be placed in the same side as the flap which opens first.

2) The upper frame is mounted in the moveable flaps.

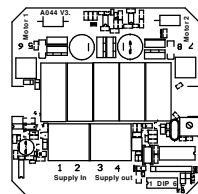
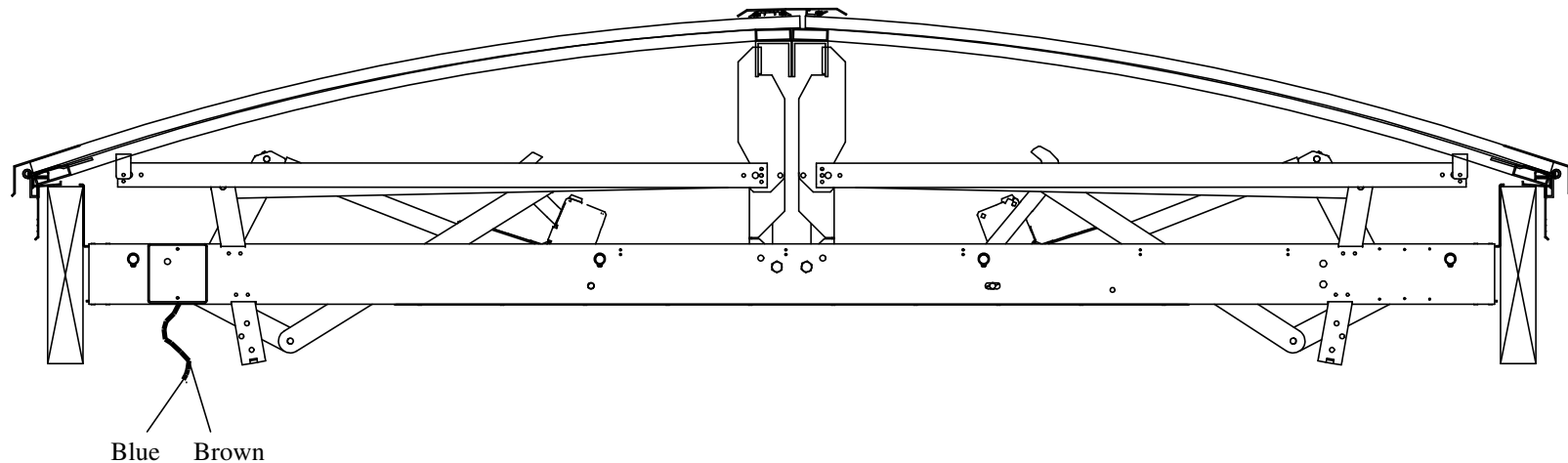
3) All adjustments are made from factory. No further mechanical or electronic adjustments are necessary.

4) The actuator can be test operated up and down by connecting a 18-48V battery on the test wires. When the black wheels are aligned with the U-rail cut the plastic strip, which holds the spring loaded wheels. The wheels expand into the U-rails.

## Electrical Connection Information

5) The opening system **must always** be connected to 24 or 48 VDC from the control panel. Connect through terminal 1&2 on the overload interrupter (LIP) that is fitted in series with the actuator, as the actuator has no limit switches.

**The actuator will be destroyed** if the overload interrupter (LIP) is not installed in series with the actuator.



LIP PCB

Electrical connection 24 or 48VDC  
from control

# Actulux

Actulux A/S  
2. Haandvaerkervej  
DK 9560 Hadsund  
Denmark

Phone int.: +45 98 57 40 90  
Fax int.: +45 96 15 28 00  
e-mail: info@actulux.com  
www.actulux.com

## 800291